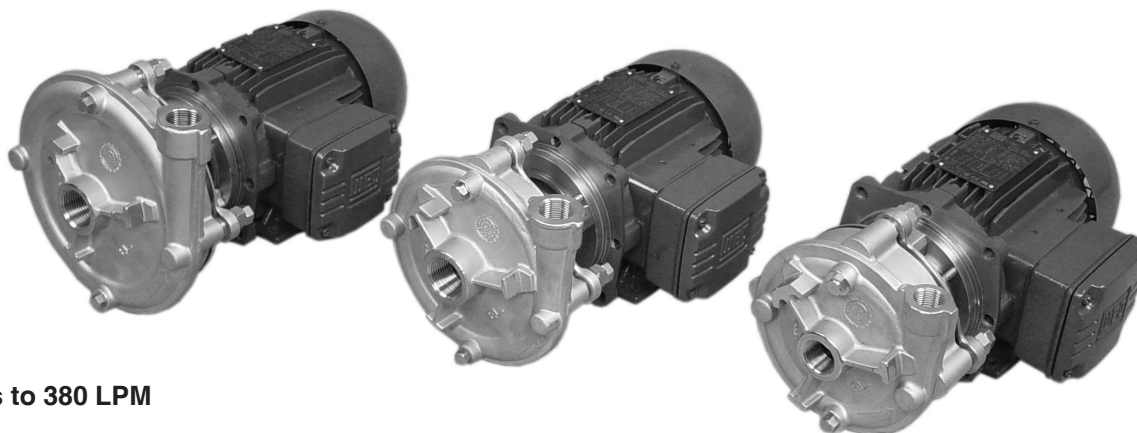


MTH PUMPS

# C41 • C51 • C61 Series

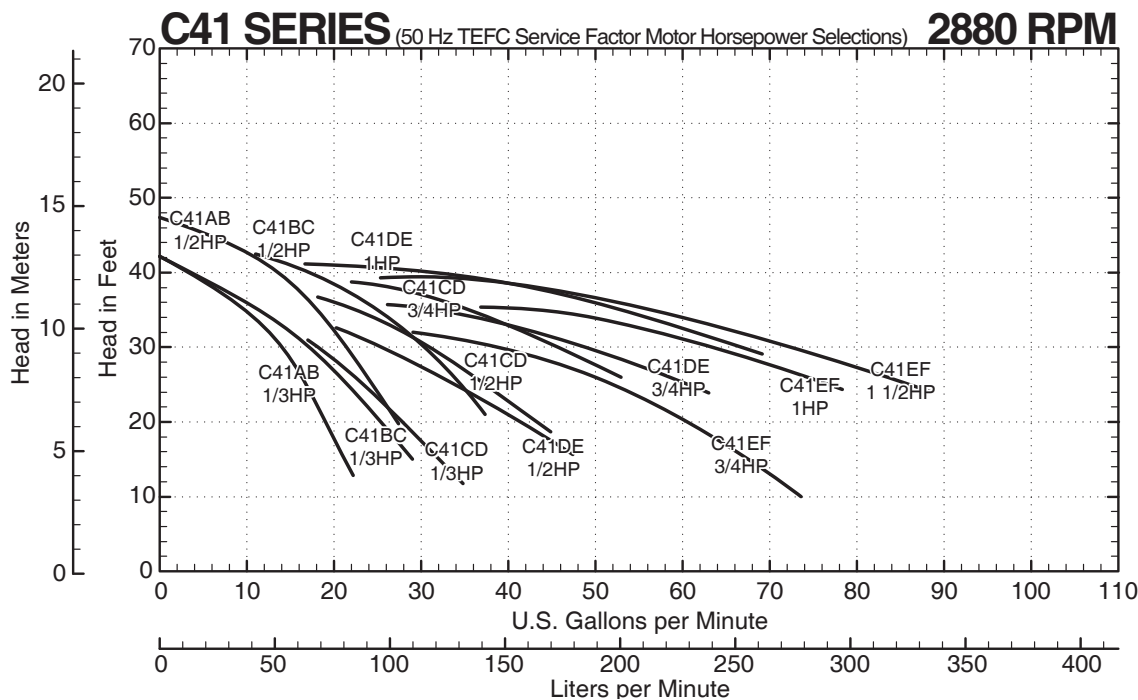
## 50Hz Metric Edition



- Capacities to 380 LPM
- Heads to 42 Meters
- Horizontal Close Coupled

C41 SERIES

### Composite Curves



C SERIES PUMPS



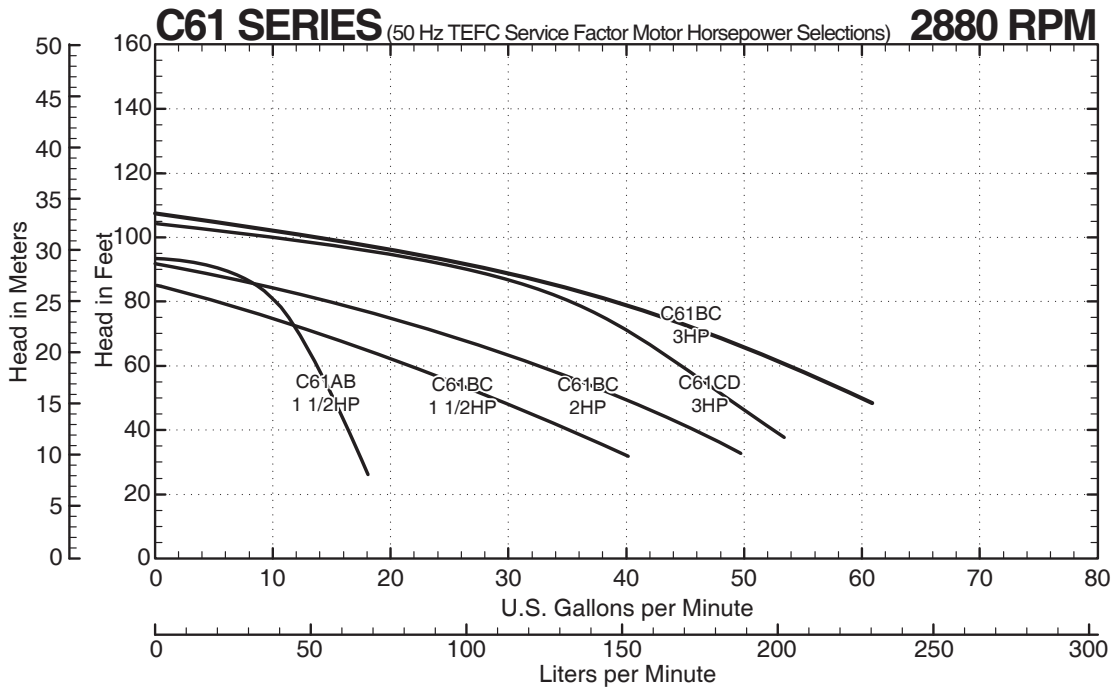
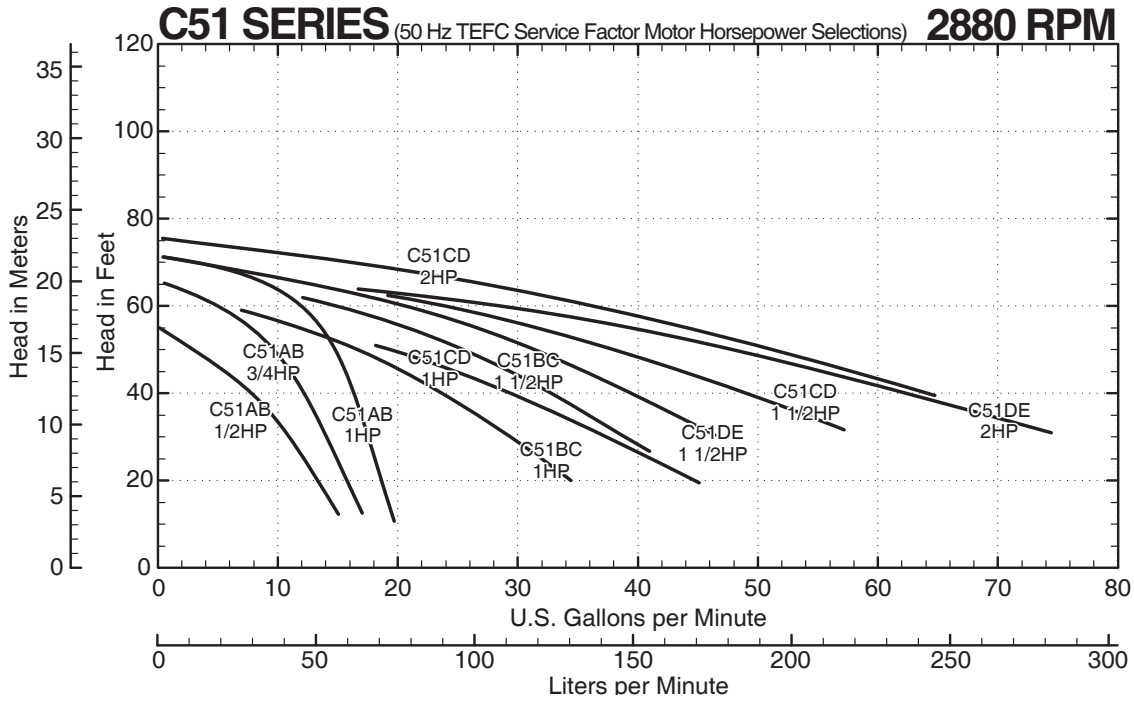
**MTH PUMPS**

401 West Main Street • Plano, IL 60545-1436  
 Phone: 630-552-4115 • Fax: 630-552-3688  
 Email: SALES@MTHPUMPS.COM  
 http://WWW.MTHPUMPS.COM

# MTH PUMPS

## Composite Curves

C SERIES PUMPS

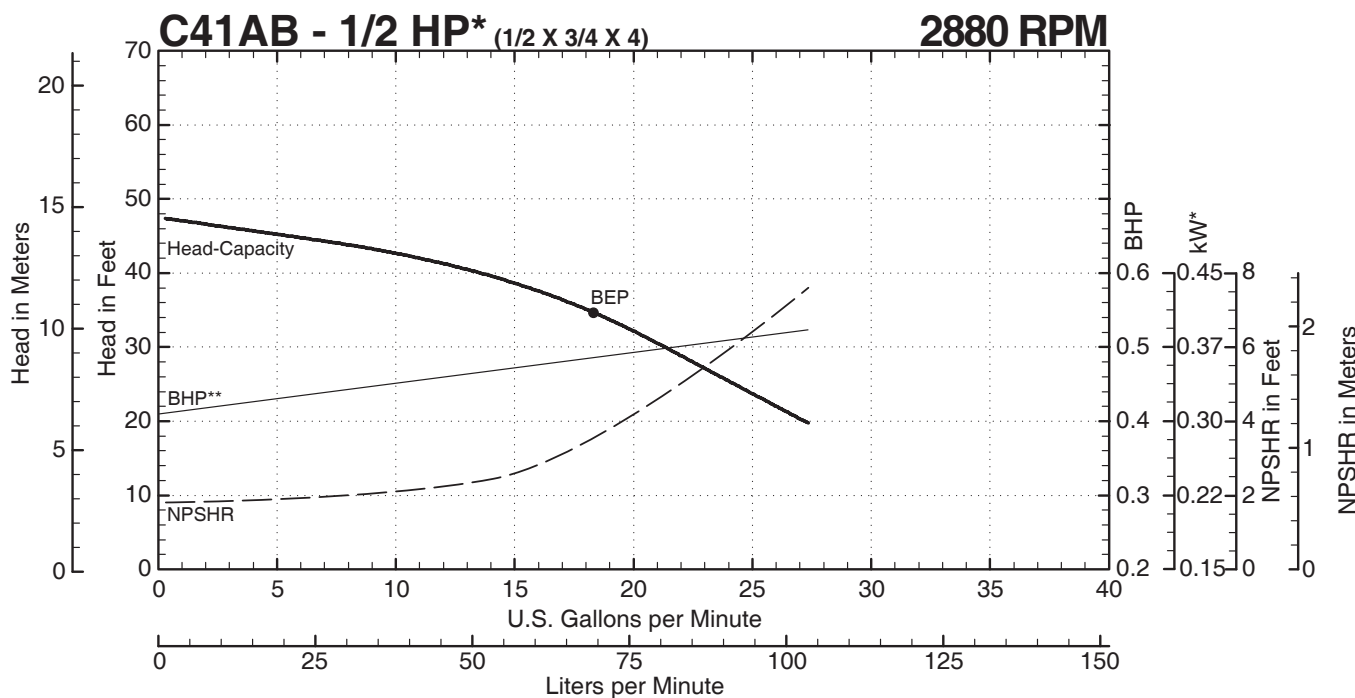
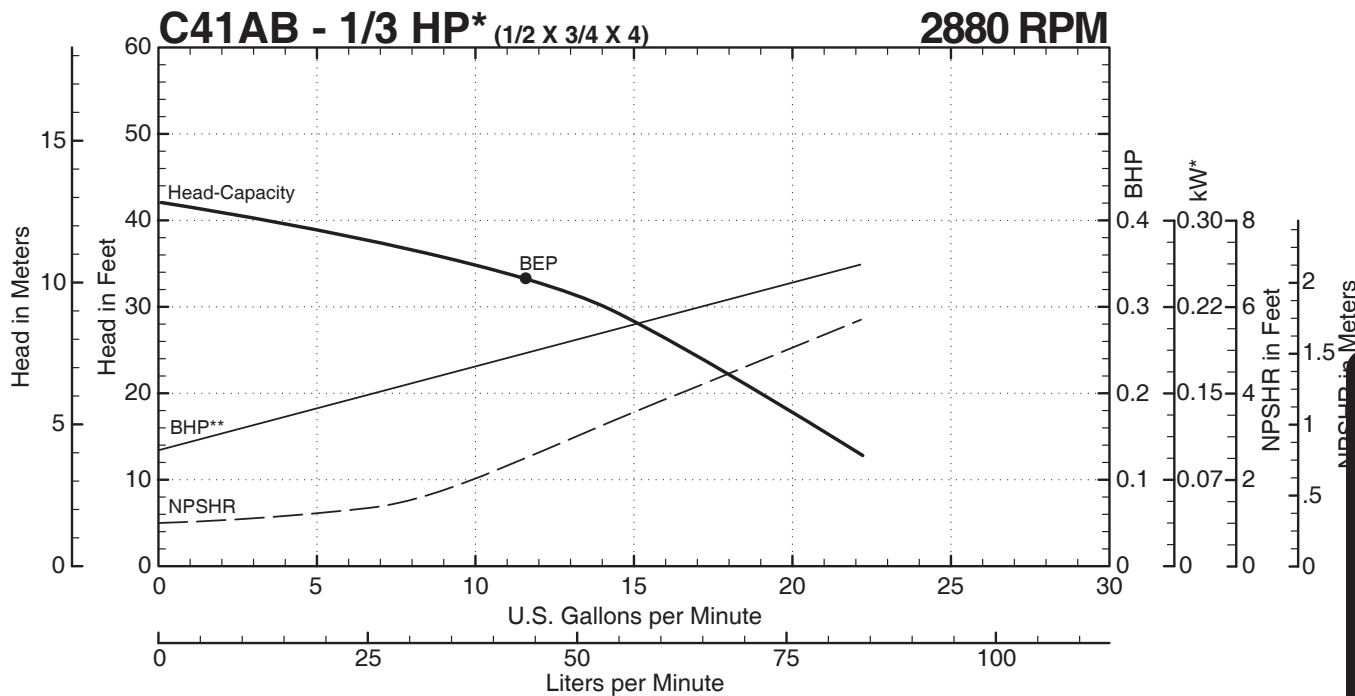


**MTH PUMPS**

401 West Main Street • Plano, IL 60545-1436  
 Phone: 630-552-4115 • Fax: 630-552-3688  
 Email: SALES@MTHPUMPS.COM  
 http://WWW.MTHPUMPS.COM

C41 • C51 • C61 SERIES

# C41 Metric Performance Curves



**C SERIES PUMPS**



**MTH PUMPS**

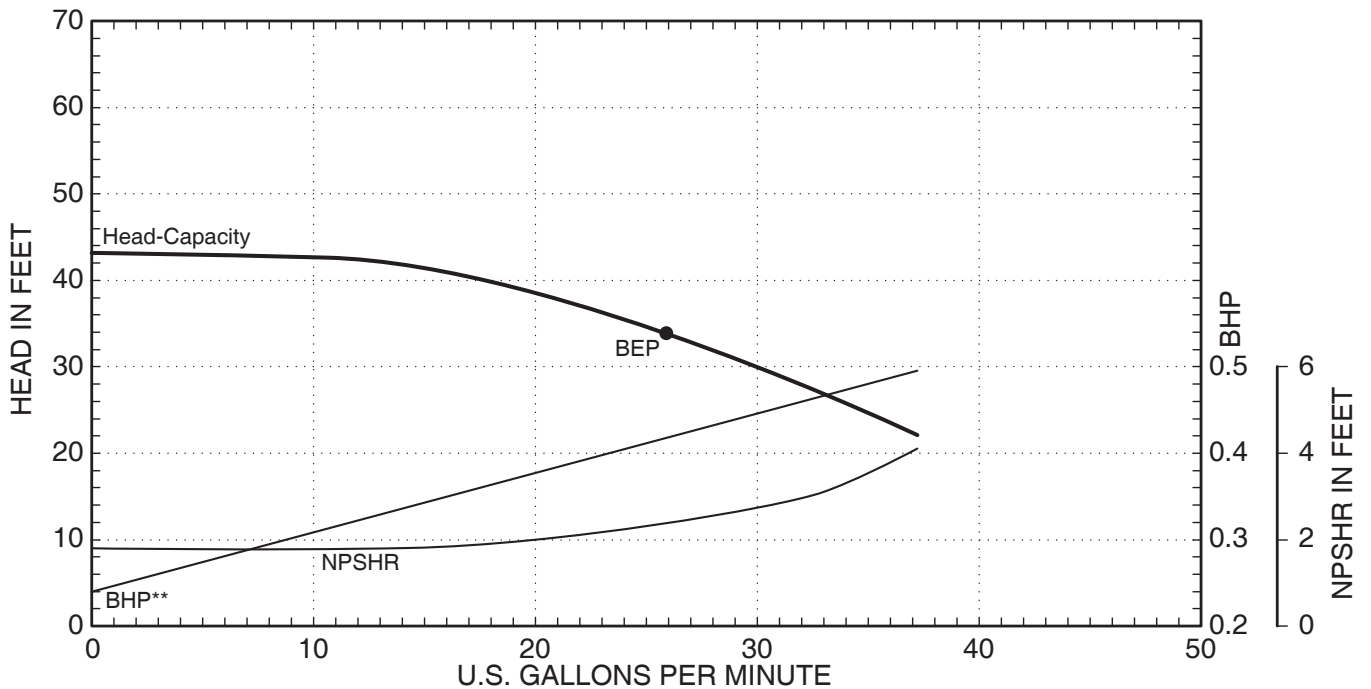
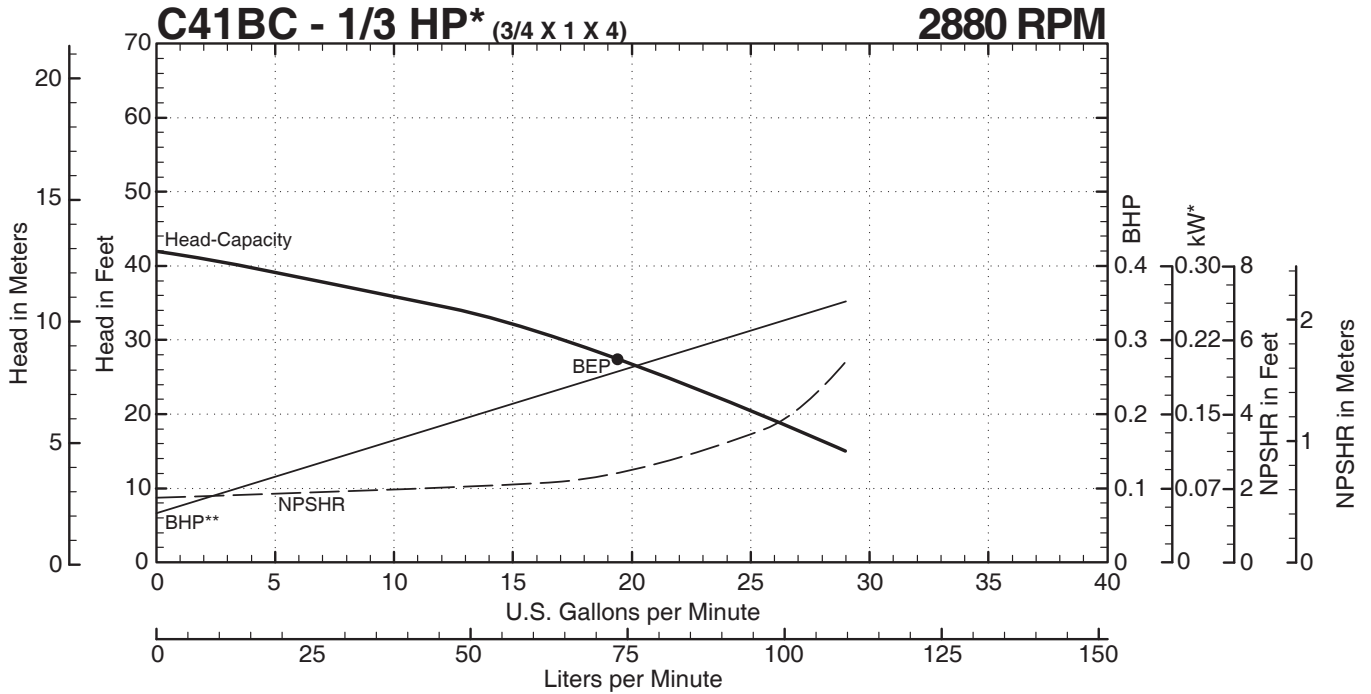
401 West Main Street • Plano, IL 60545-1436  
 Phone: 630-552-4115 • Fax: 630-552-3688  
 Email: SALES@MTHPUMPS.COM  
 http://WWW.MTHPUMPS.COM

\*High Service Factor Motor Horsepower Selections - See Standard Motor Guide and/or Motor Price Sheets for more information.  
 \*\*BHP data valid for 1.0 specific gravity fluids only.

C41 • C51 • C61 SERIES

# C41 Metric Performance Curves

C SERIES PUMPS

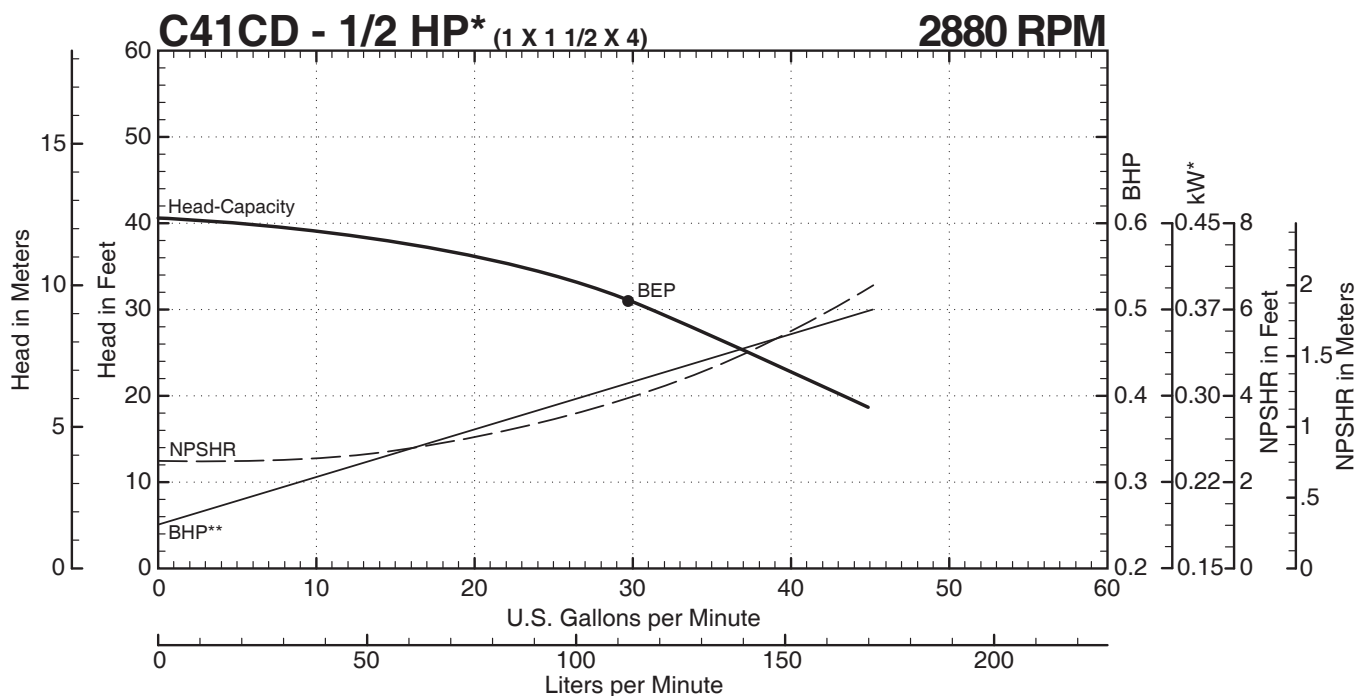
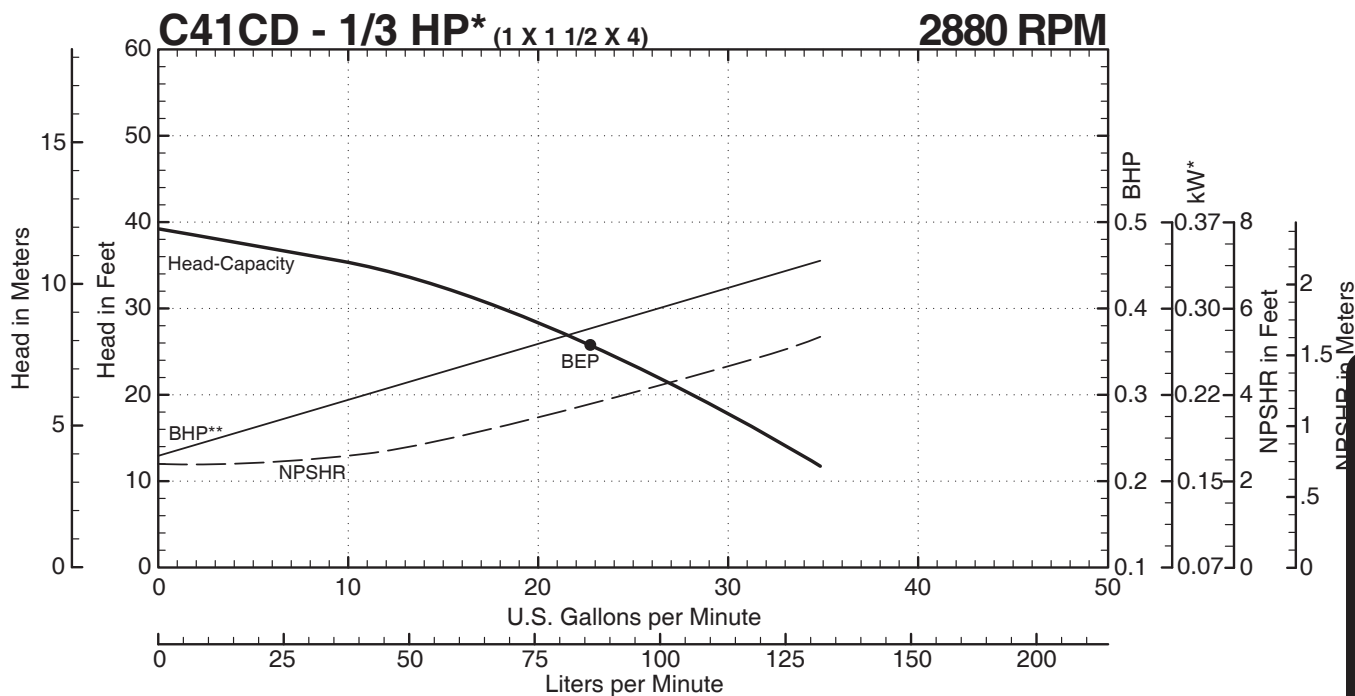


\*High Service Factor Motor Horsepower Selections - See Standard Motor Guide and/or Motor Price Sheets for more information.  
 \*\*BHP data valid for 1.0 specific gravity fluids only.

**MTH PUMPS**  
 401 West Main Street • Plano, IL 60545-1436  
 Phone: 630-552-4115 • Fax: 630-552-3688  
 Email: SALES@MTHPUMPS.COM  
 http://WWW.MTHPUMPS.COM

C41 • C51 • C61 SERIES

# C41 Metric Performance Curves



**C SERIES PUMPS**



**MTH PUMPS**

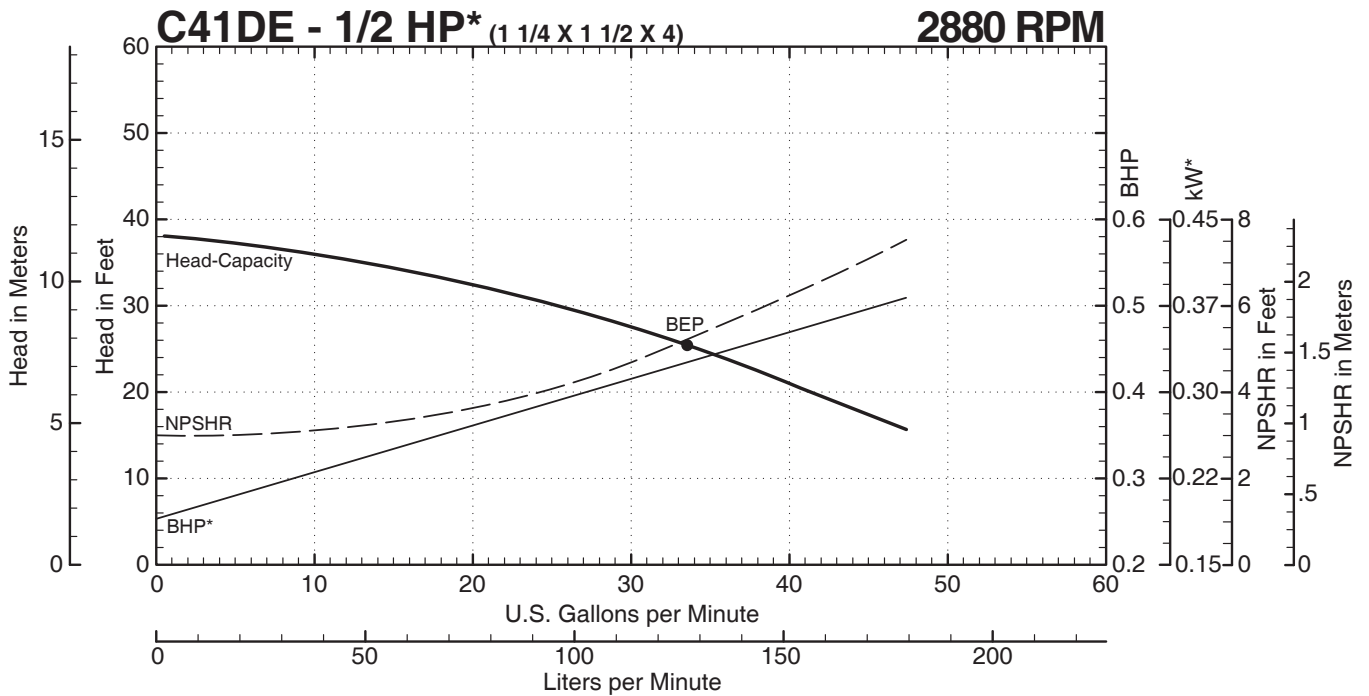
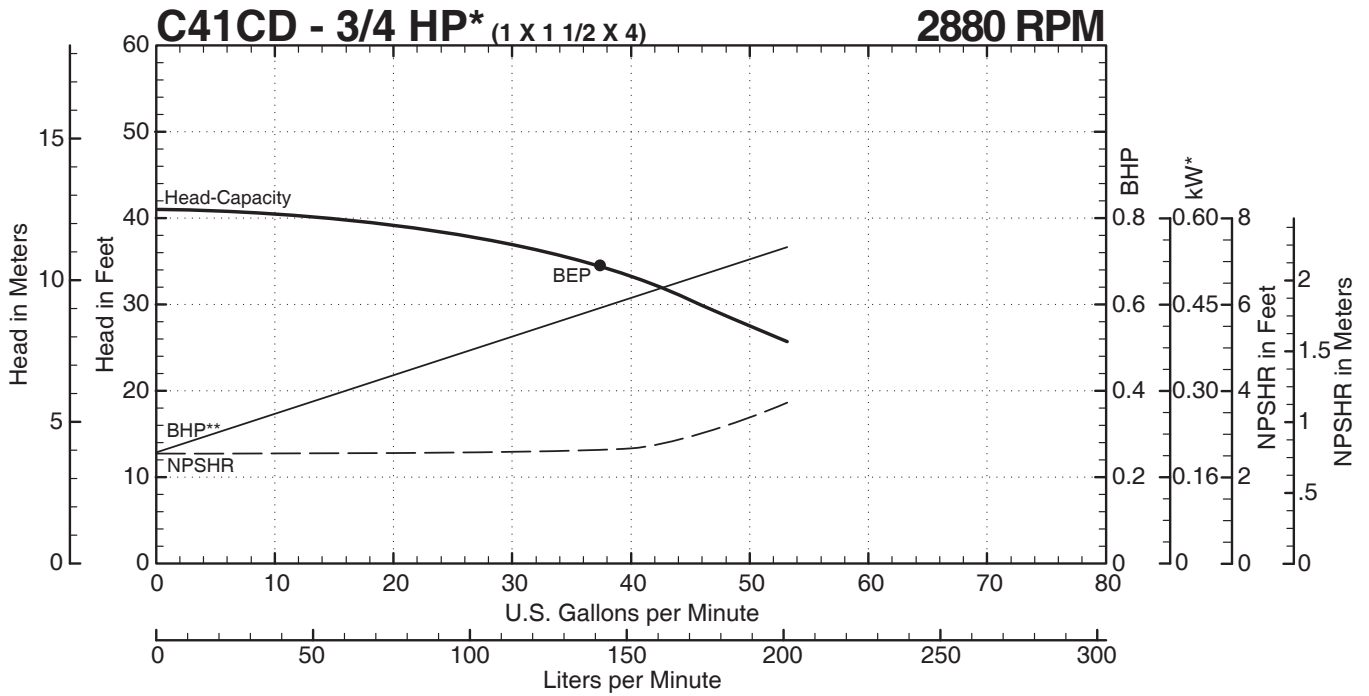
401 West Main Street • Plano, IL 60545-1436  
 Phone: 630-552-4115 • Fax: 630-552-3688  
 Email: SALES@MTHPUMPS.COM  
 http://WWW.MTHPUMPS.COM

\*High Service Factor Motor Horsepower Selections - See Standard Motor Guide and/or Motor Price Sheets for more information.  
 \*\*BHP data valid for 1.0 specific gravity fluids only.

C41 • C51 • C61 SERIES

# C41 Metric Performance Curves

C SERIES PUMPS



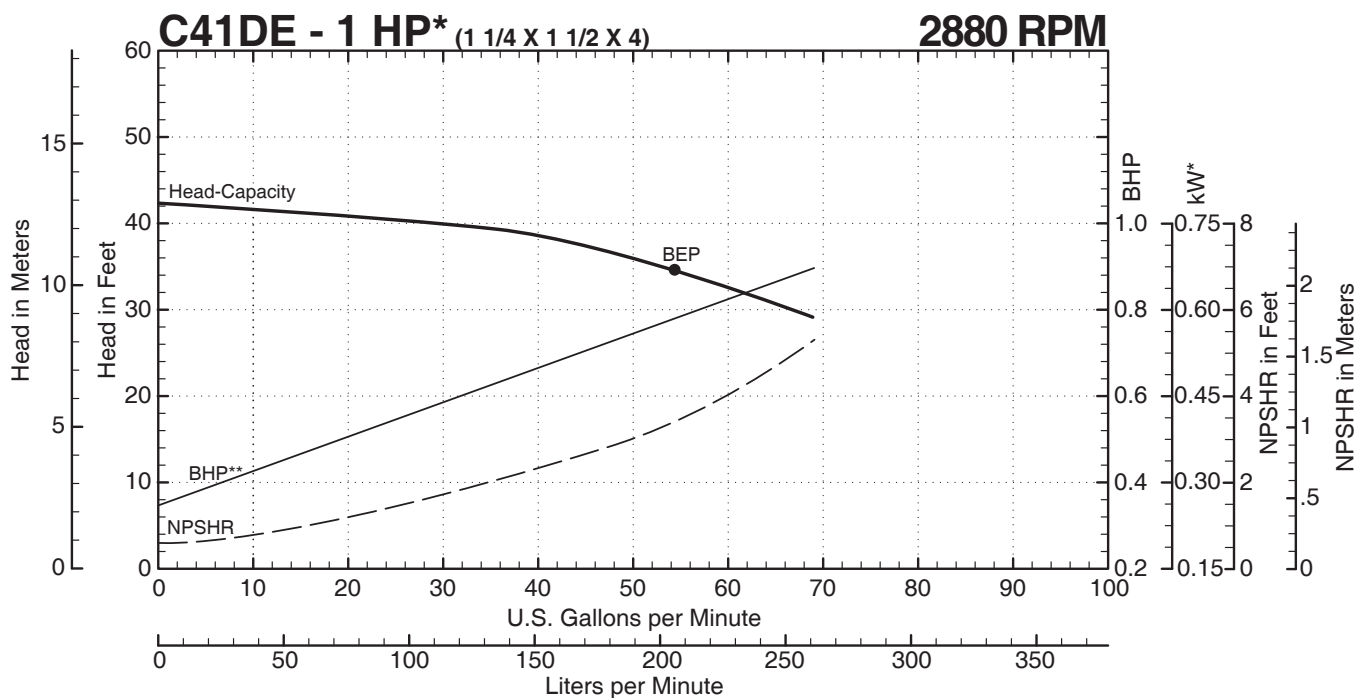
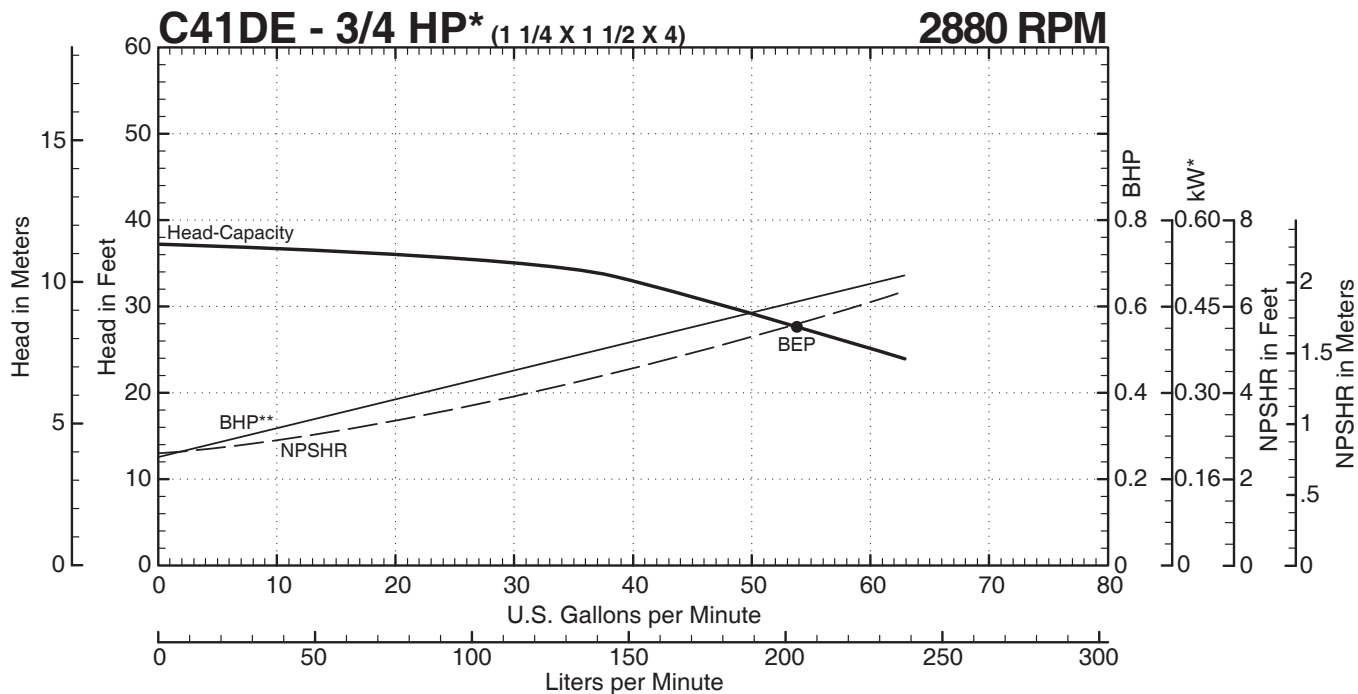
**MTH PUMPS**

401 West Main Street • Plano, IL 60545-1436  
 Phone: 630-552-4115 • Fax: 630-552-3688  
 Email: SALES@MTHPUMPS.COM  
 http://WWW.MTHPUMPS.COM

\*High Service Factor Motor Horsepower Selections - See Standard Motor Guide and/or Motor Price Sheets for more information.  
 \*\*BHP data valid for 1.0 specific gravity fluids only.

C41 • C51 • C61 SERIES

# C41 Metric Performance Curves



**C SERIES PUMPS**



**MTH PUMPS**

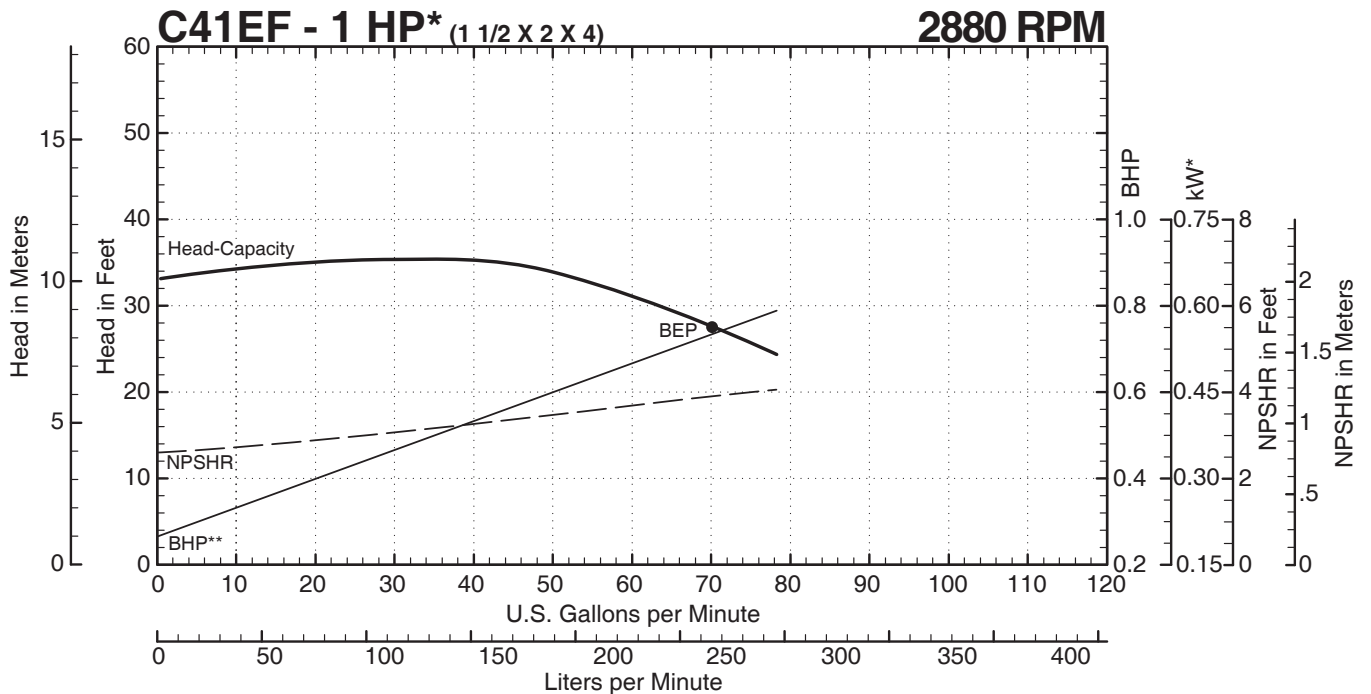
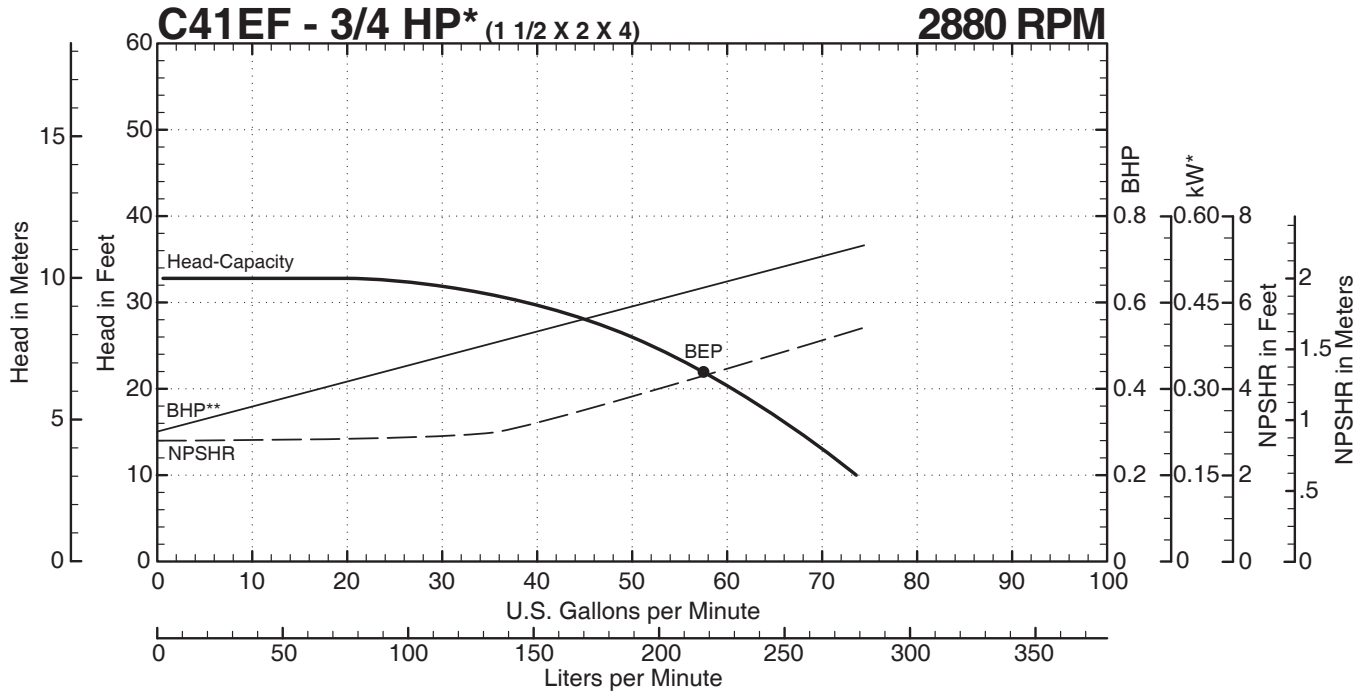
401 West Main Street • Plano, IL 60545-1436  
 Phone: 630-552-4115 • Fax: 630-552-3688  
 Email: SALES@MTHPUMPS.COM  
 http://WWW.MTHPUMPS.COM

\*High Service Factor Motor Horsepower Selections - See Standard Motor Guide and/or Motor Price Sheets for more information.  
 \*\*BHP data valid for 1.0 specific gravity fluids only.

C41 • C51 • C61 SERIES

# C41 Metric Performance Curves

C SERIES PUMPS



**MTH PUMPS**

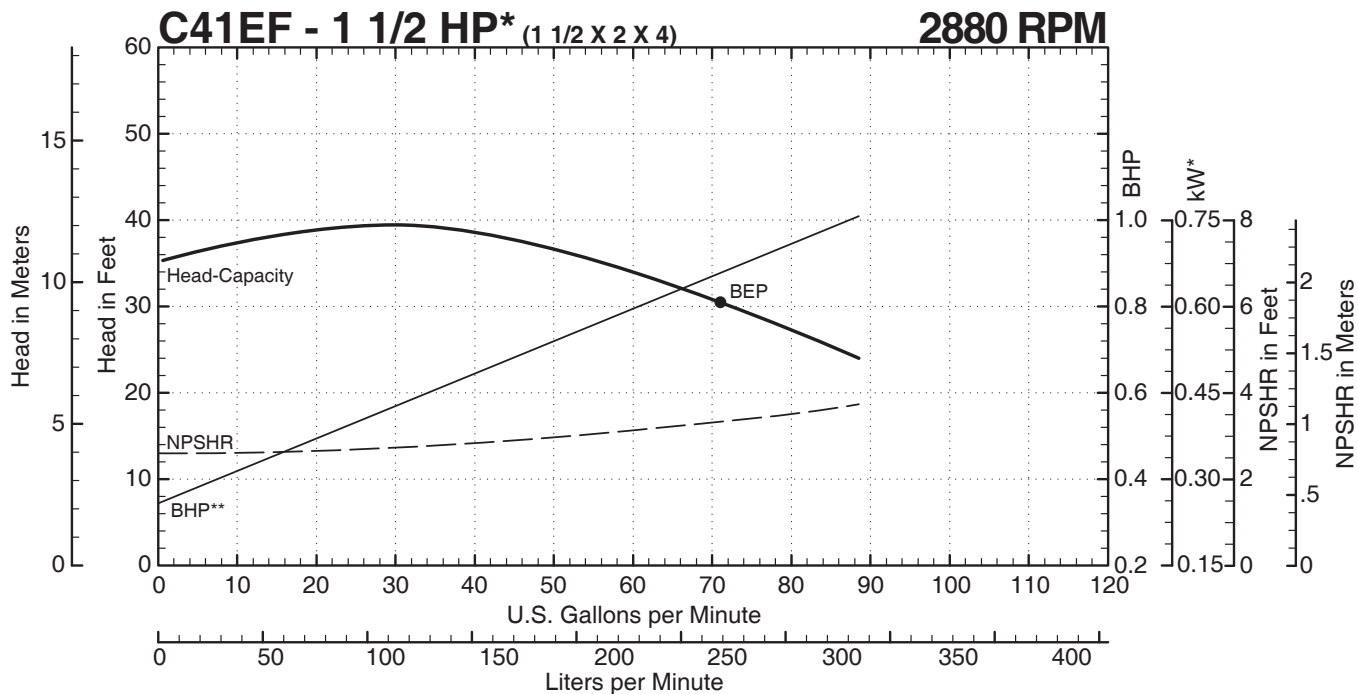
401 West Main Street • Plano, IL 60545-1436  
 Phone: 630-552-4115 • Fax: 630-552-3688  
 Email: SALES@MTHPUMPS.COM  
<http://WWW.MTHPUMPS.COM>

\*High Service Factor Motor Horsepower Selections - See Standard Motor Guide and/or Motor Price Sheets for more information.  
 \*\*BHP data valid for 1.0 specific gravity fluids only.



C41 • C51 • C61 SERIES

# C41 Metric Performance Curves



**C SERIES PUMPS**



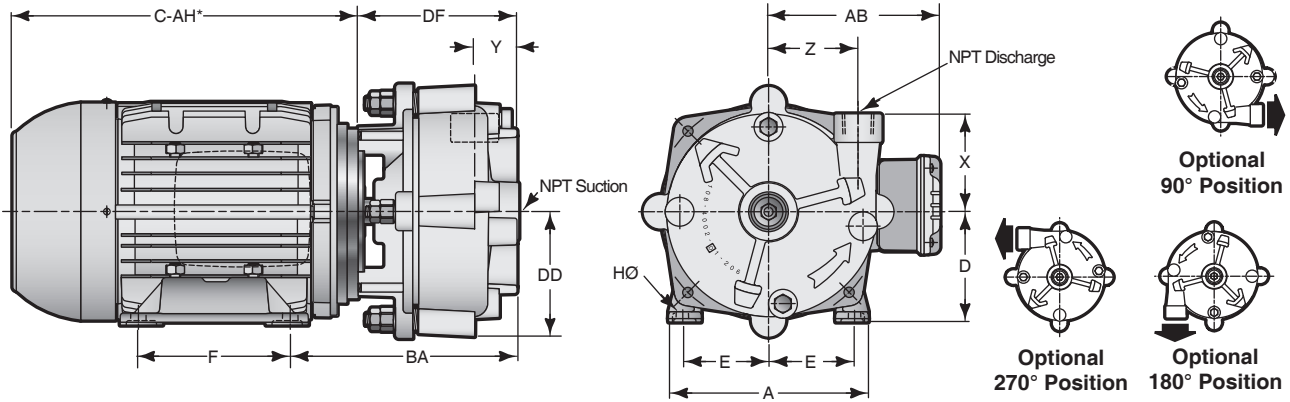
**MTH PUMPS**

401 West Main Street • Plano, IL 60545-1436  
 Phone: 630-552-4115 • Fax: 630-552-3688  
 Email: SALES@MTHPUMPS.COM  
<http://WWW.MTHPUMPS.COM>

\*High Service Factor Motor Horsepower Selections - See Standard Motor Guide and/or Motor Price Sheets for more information.  
 \*\*BHP data valid for 1.0 specific gravity fluids only.

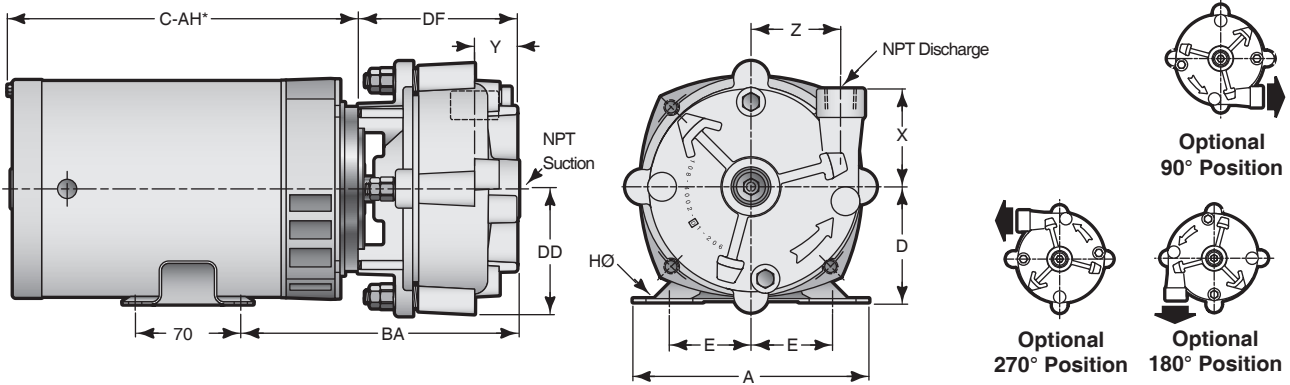
C41 • C51 • C61 SERIES

# C41 Metric Dimensions



### 3 Phase TEFC Motors

Pump Size				71 Frame (1/3 HP - 1 HP)										80 Frame (1 1/2 HP - 2HP)						
Model	Disch.	Suction	Imp. Ø	DD	DF	X	Y	Z	A	AB	D	E	F	BA	A	AB	D	E	F	BA
C41AB	1/2	3/4	102	83	106	65	30	59	133	127	71	56	90	157	---	---	---	---	---	---
C41BC	3/4	1	102	83	111	67	33	62	133	127	71	56	90	162	---	---	---	---	---	---
C41CD	1	1 1/4	102	83	116	70	38	65	133	127	71	56	90	167	---	---	---	---	---	---
C41DE	1 1/4	1 1/2	102	87	122	75	44	68	133	127	71	56	90	173	---	---	---	---	---	---
C41EF	1 1/2	2	102	84	132	75	52	71	133	127	71	56	90	183	156	130	79	62	100	187



### Single Phase ODP Motors

Pump Size				48 Frame (1/3 - 1 HP)										56 Frame (1 1/2 - 2HP)				
Model	Disch.	Suction	Imp. Ø	DD	DF	X	Y	Z	A	D	E	H	BA	A	D	E	H	BA
C41AB	1/2	3/4	102	83	106	65	30	59	156	76	54	5/16-18	183	---	---	---	---	---
C41BC	3/4	1	102	83	111	67	33	62	156	76	54	5/16-18	197	---	---	---	---	---
C41CD	1	1 1/4	102	83	116	70	38	65	156	76	54	5/16-18	192	---	---	---	---	---
C41DE	1 1/4	1 1/2	102	87	122	75	44	68	156	76	54	5/16-18	198	---	---	---	---	---
C41EF	1 1/2	2	102	84	132	75	52	71	156	76	54	5/16-18	208	167	89	62	5/16-18	208

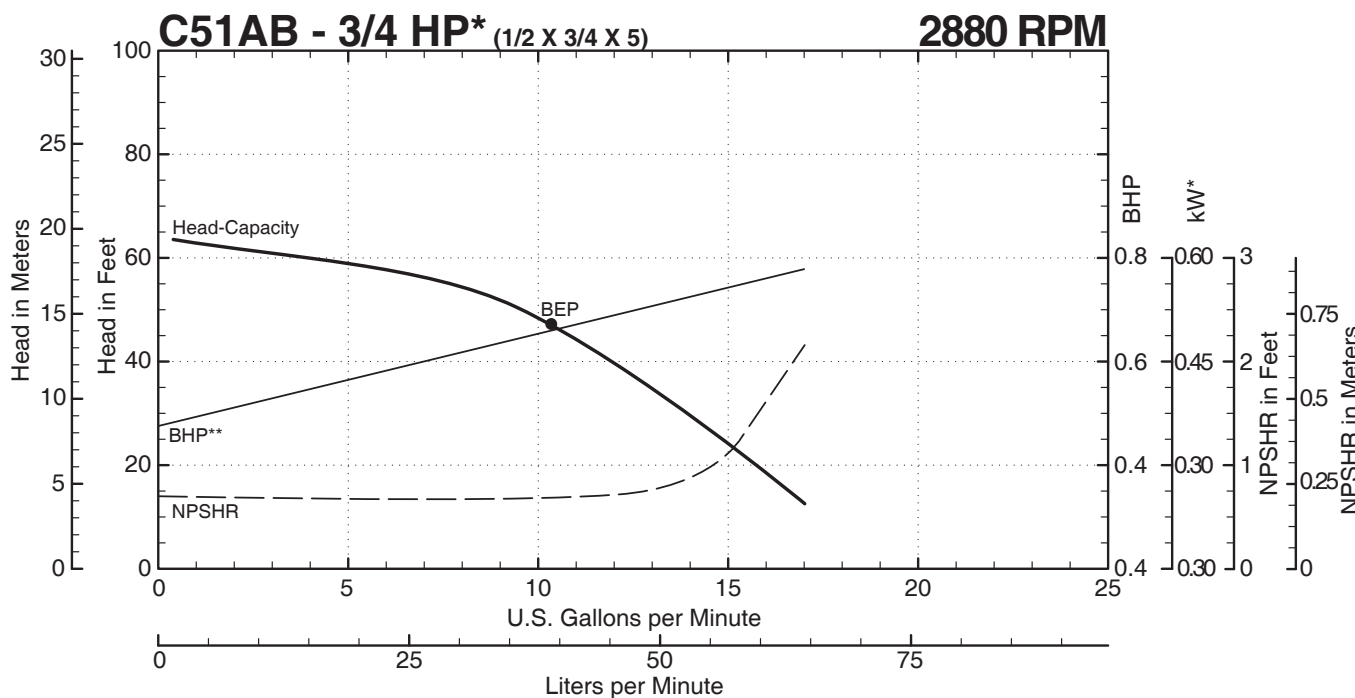
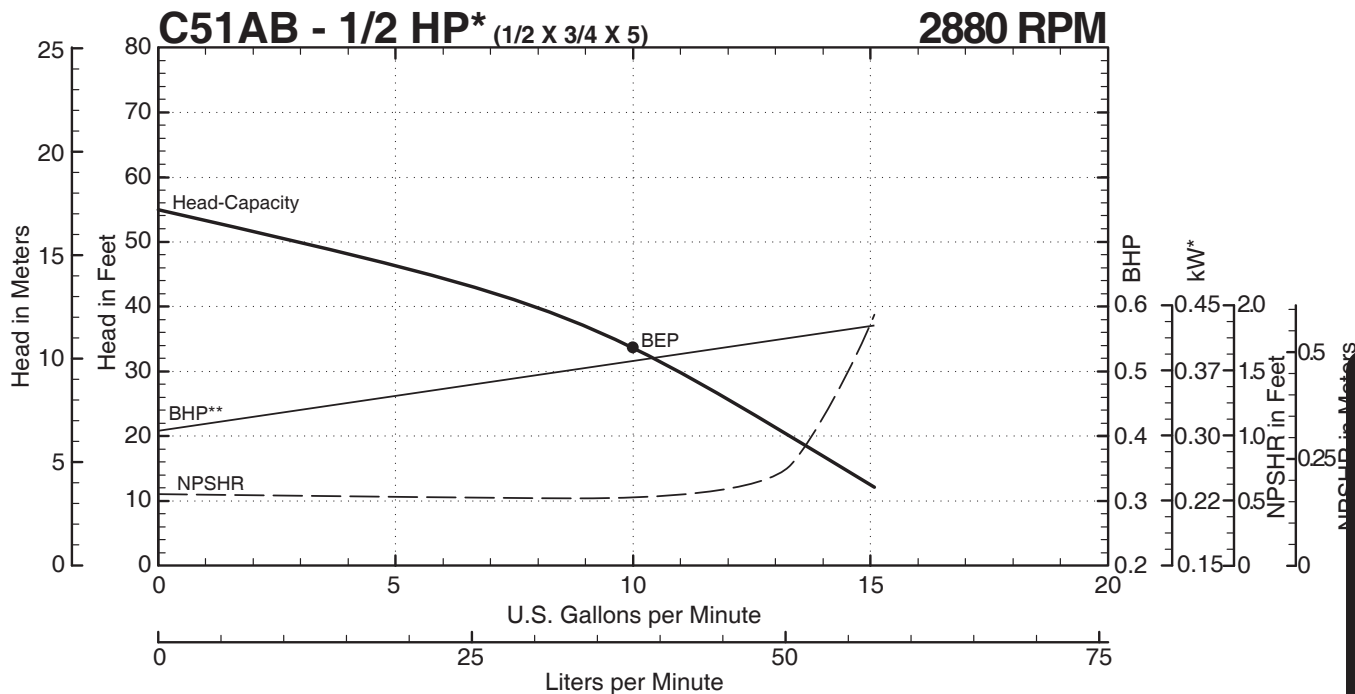
**NOTES:** All dimensions in inches. May vary ± 6 MM.  
 Not for construction purposes unless certified.  
 \*See motor dimension (Section Motors) for "C-AH" dimension  
 (Varies depending on motor enclosure).



401 West Main Street • Plano, IL 60545-1436  
 Phone: 630-552-4115 • Fax: 630-552-3688  
 Email: SALES@MTHPUMPS.COM  
 http://WWW.MTHPUMPS.COM

C41 • C51 • C61 SERIES

# C51 Metric Performance Curves



C SERIES PUMPS



**MTH PUMPS**

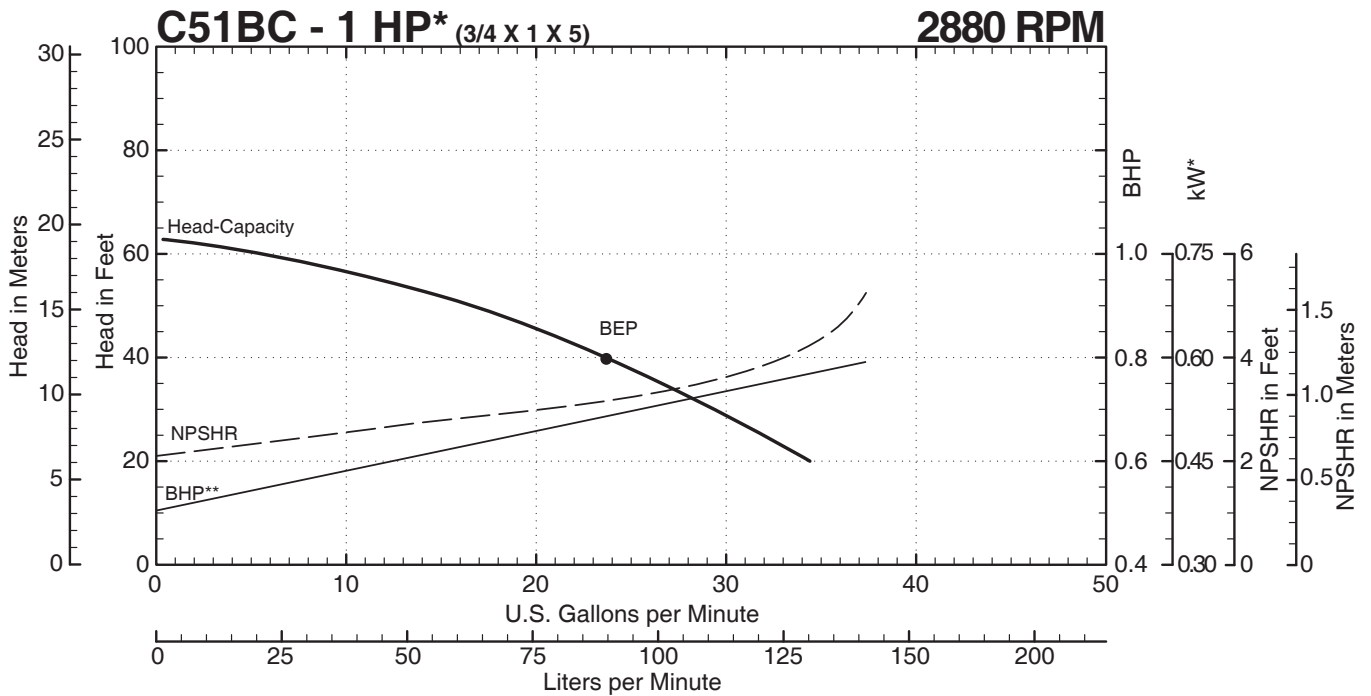
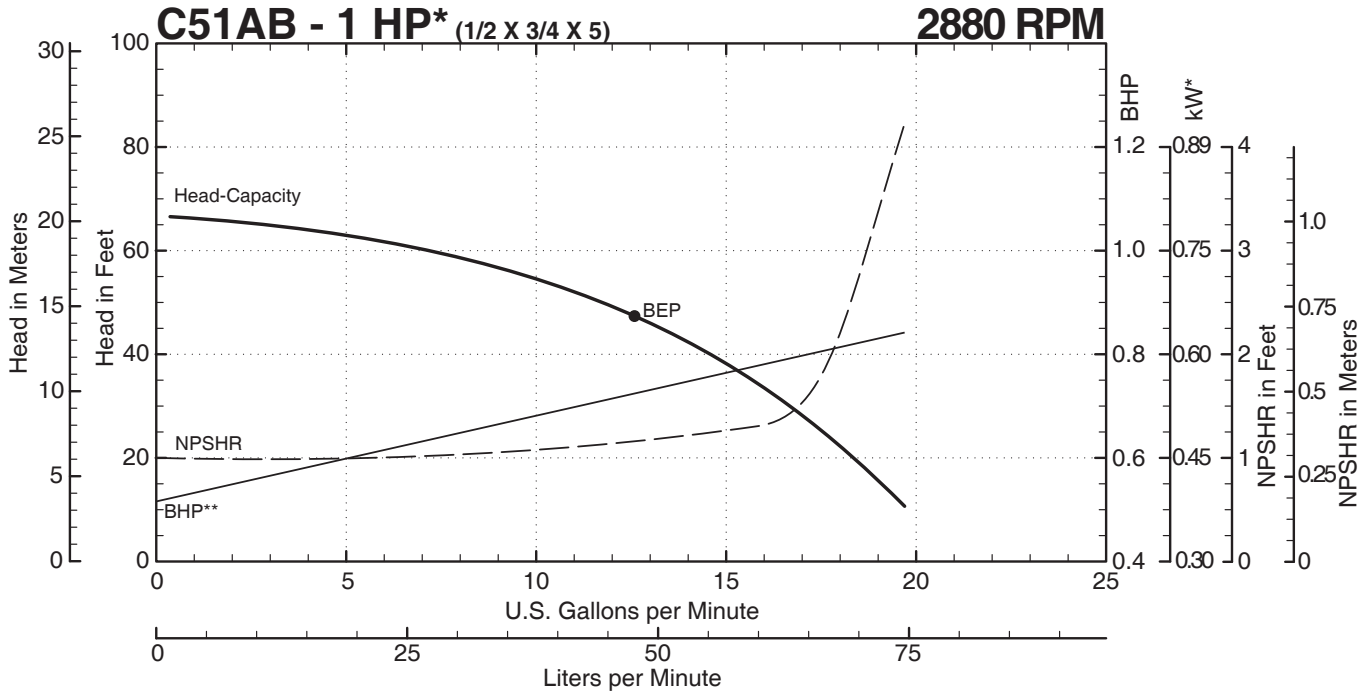
401 West Main Street • Plano, IL 60545-1436  
 Phone: 630-552-4115 • Fax: 630-552-3688  
 Email: SALES@MTHPUMPS.COM  
 http://WWW.MTHPUMPS.COM

\*High Service Factor Motor Horsepower Selections - See Standard Motor Guide and/or Motor Price Sheets for more information.  
 \*\*BHP data valid for 1.0 specific gravity fluids only.

C41 • C51 • C61 SERIES

# C51 Metric Performance Curves

C SERIES PUMPS



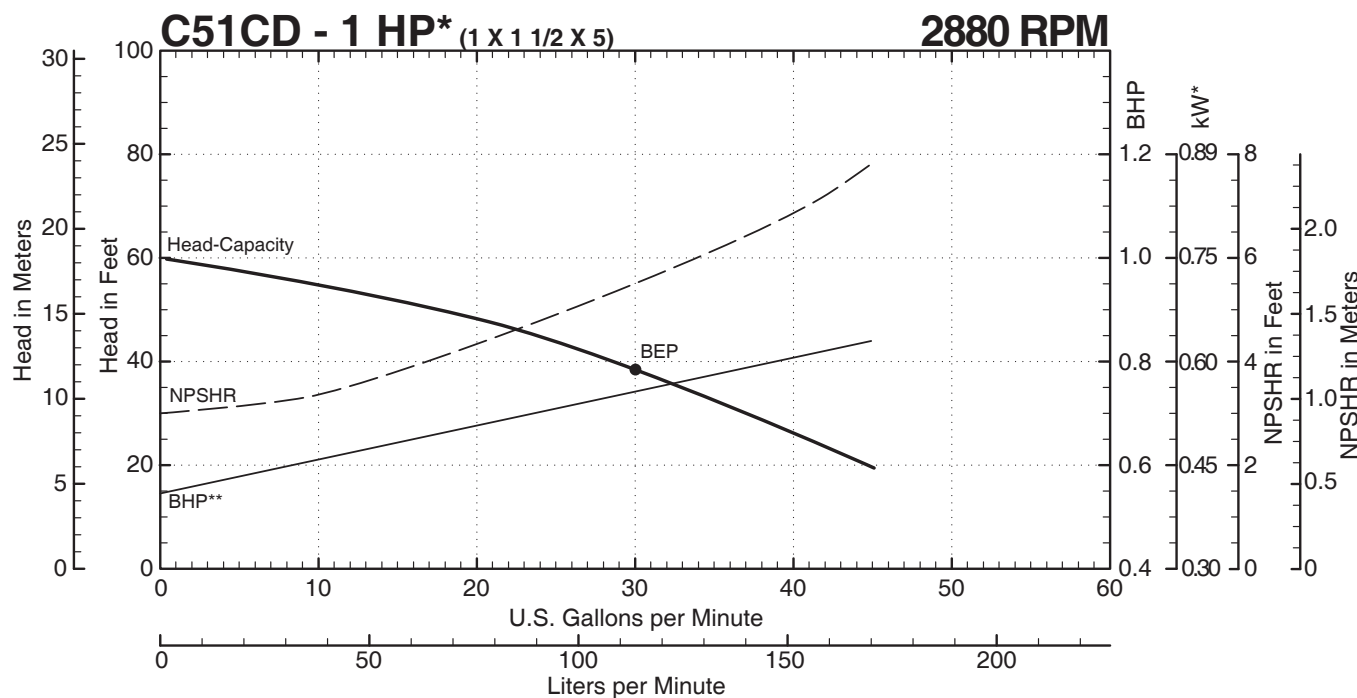
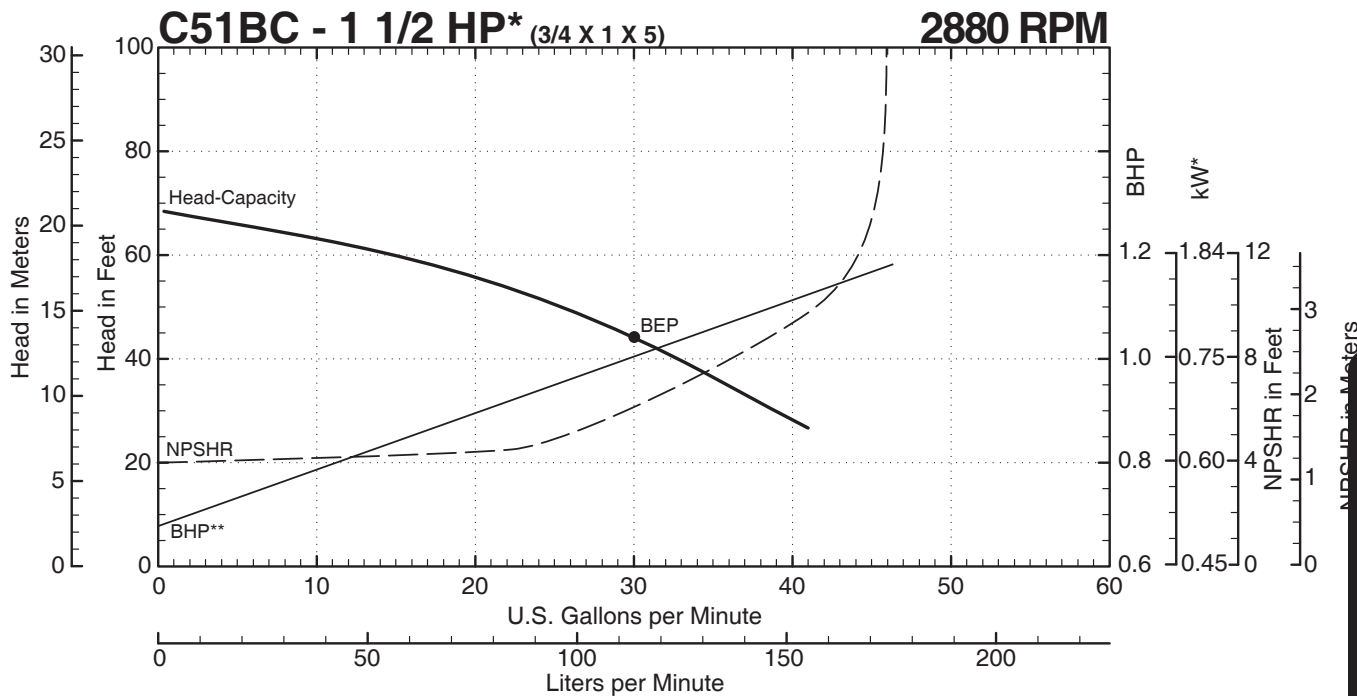
**MTH PUMPS**

401 West Main Street • Plano, IL 60545-1436  
 Phone: 630-552-4115 • Fax: 630-552-3688  
 Email: SALES@MTHPUMPS.COM  
 http://WWW.MTHPUMPS.COM

\*High Service Factor Motor Horsepower Selections - See Standard Motor Guide and/or Motor Price Sheets for more information.  
 \*\*BHP data valid for 1.0 specific gravity fluids only.

C41 • C51 • C61 SERIES

# C51 Metric Performance Curves



C SERIES PUMPS



**MTH PUMPS**

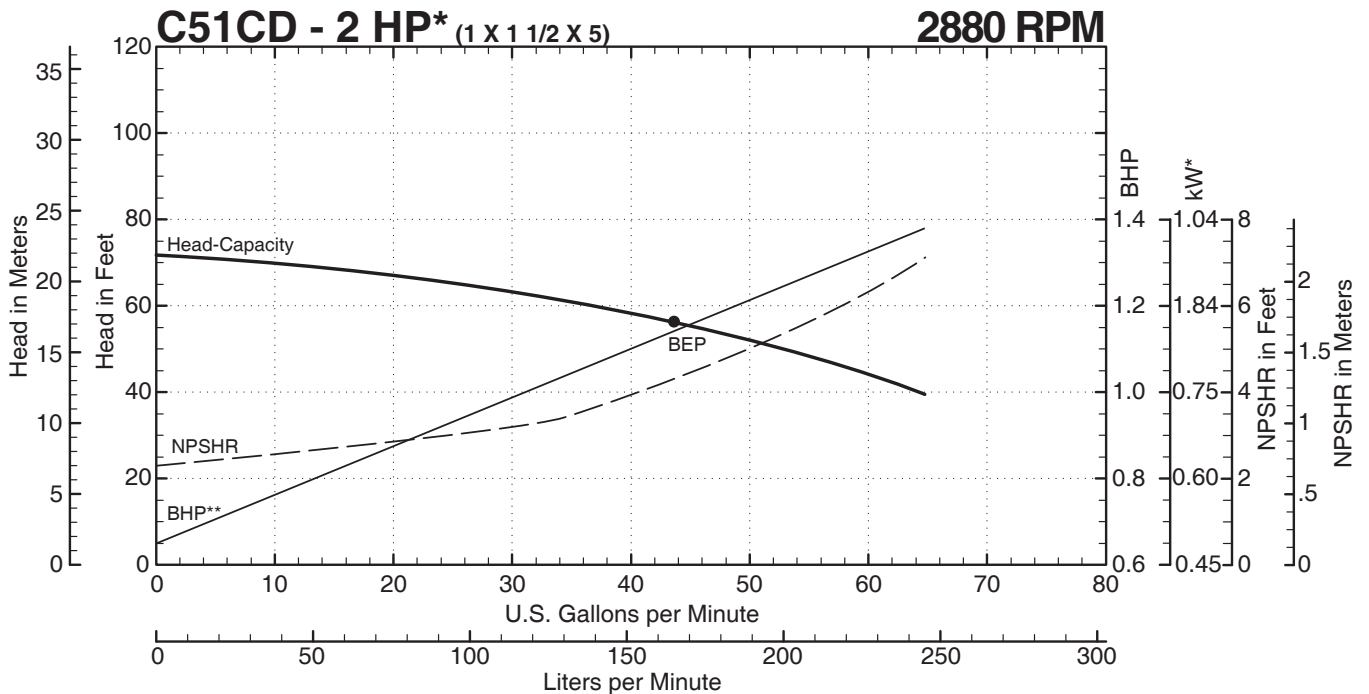
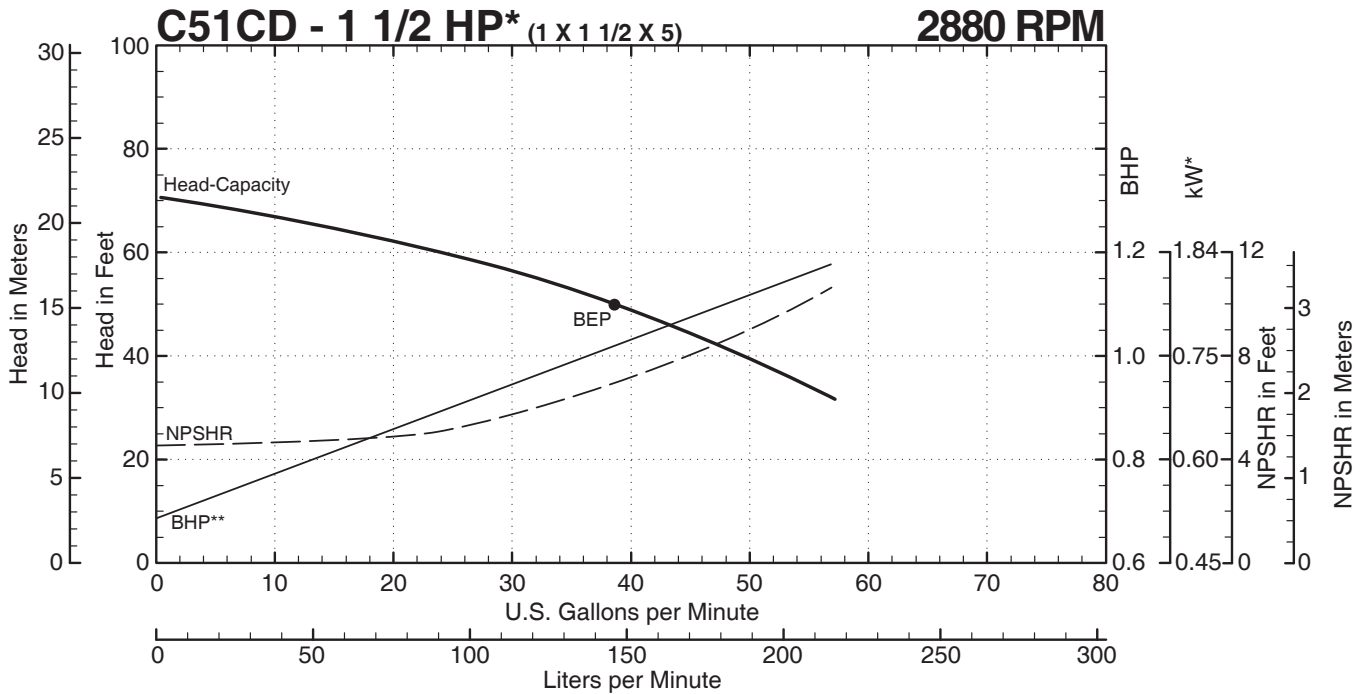
401 West Main Street • Plano, IL 60545-1436  
 Phone: 630-552-4115 • Fax: 630-552-3688  
 Email: SALES@MTHPUMPS.COM  
 http://WWW.MTHPUMPS.COM

\*High Service Factor Motor Horsepower Selections - See Standard Motor Guide and/or Motor Price Sheets for more information.  
 \*\*BHP data valid for 1.0 specific gravity fluids only.

C41 • C51 • C61 SERIES

# C51 Metric Performance Curves

C SERIES PUMPS



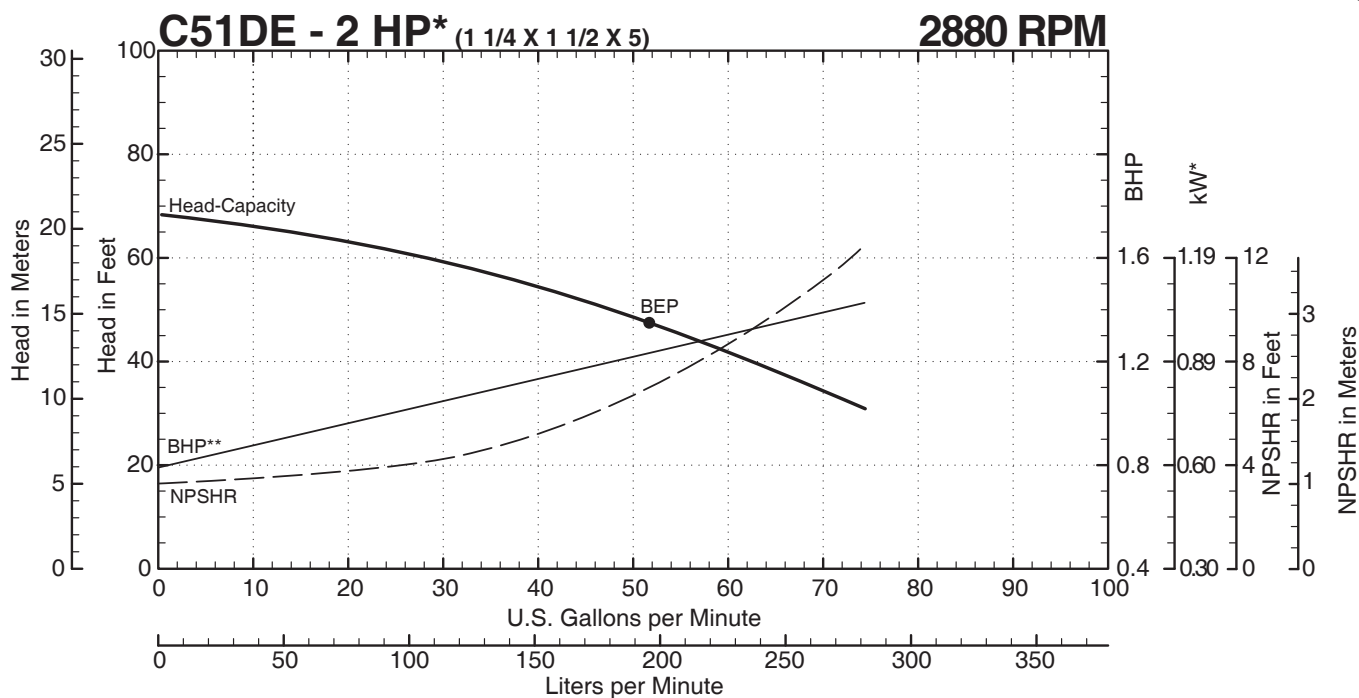
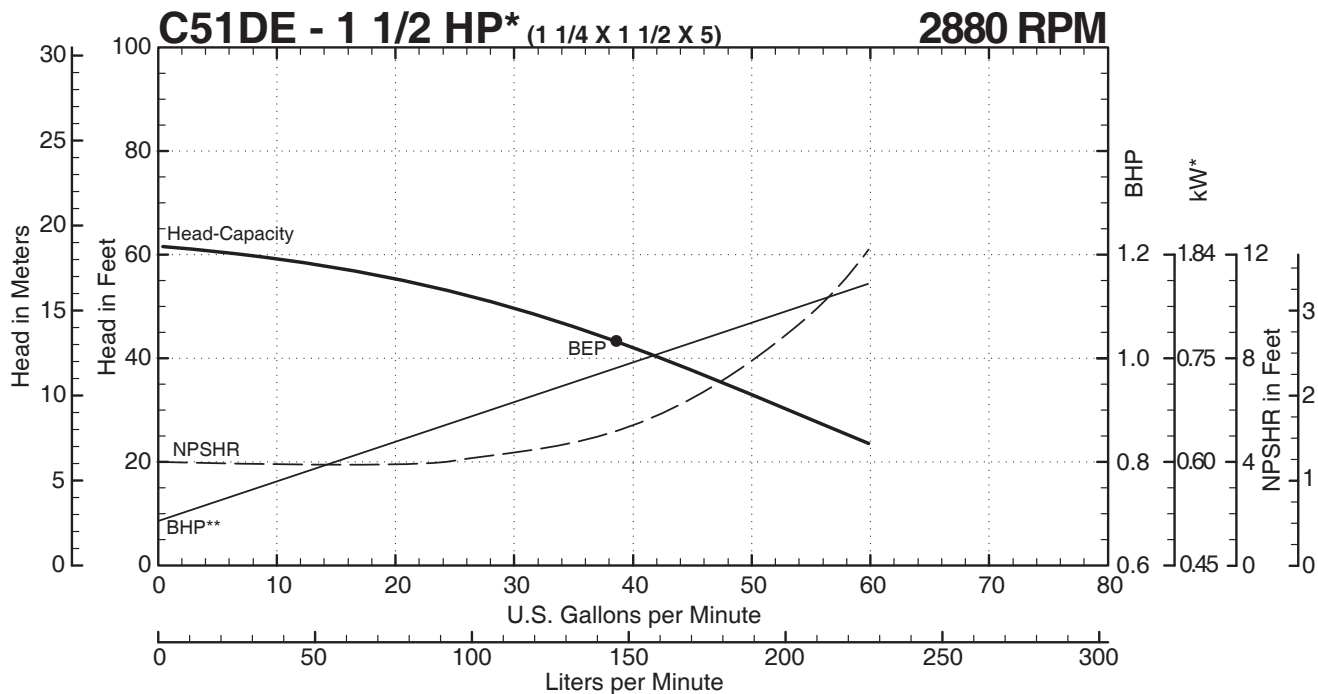
**MTH PUMPS**

401 West Main Street • Plano, IL 60545-1436  
 Phone: 630-552-4115 • Fax: 630-552-3688  
 Email: SALES@MTHPUMPS.COM  
<http://WWW.MTHPUMPS.COM>

\*High Service Factor Motor Horsepower Selections - See Standard Motor Guide and/or Motor Price Sheets for more information.  
 \*\*BHP data valid for 1.0 specific gravity fluids only.

C41 • C51 • C61 SERIES

# C51 Metric Performance Curves



**C SERIES PUMPS**



**MTH PUMPS**

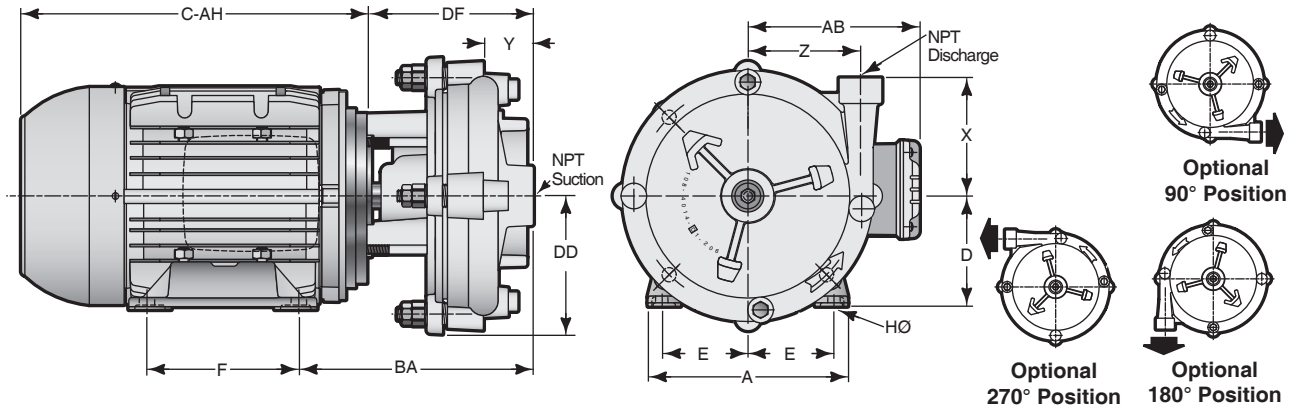
401 West Main Street • Plano, IL 60545-1436  
 Phone: 630-552-4115 • Fax: 630-552-3688  
 Email: SALES@MTHPUMPS.COM  
 http://WWW.MTHPUMPS.COM

\*High Service Factor Motor Horsepower Selections - See Standard Motor Guide and/or Motor Price Sheets for more information.  
 \*\*BHP data valid for 1.0 specific gravity fluids only.

C41 • C51 • C61 SERIES

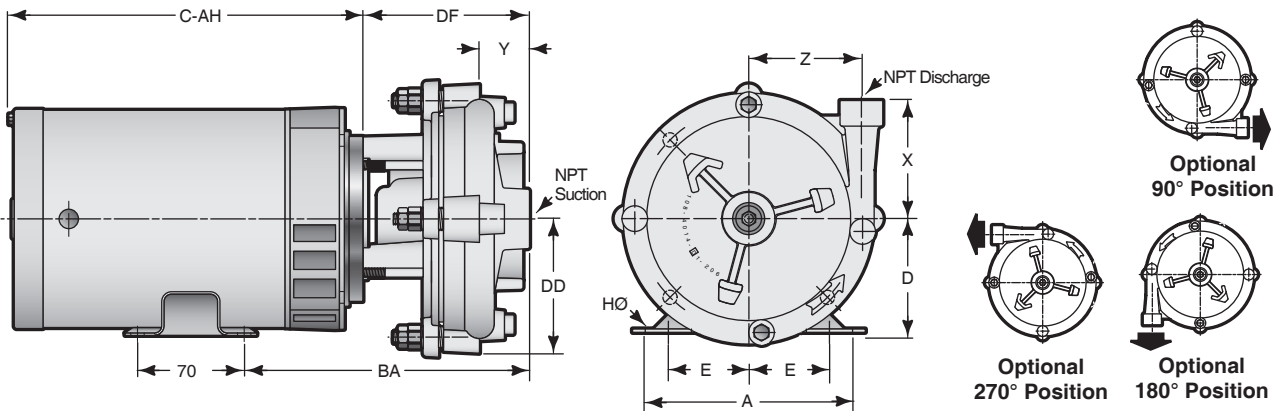
# C51 Metric Dimensions

C SERIES PUMPS



3 Phase TEFC Motors

Pump Size				71 Frame (1/3 HP - 1 HP)										80 Frame (1 1/2 HP - 2 HP)							
Model	Disch.	Suction	Imp. Ø	DD	DF	X	Y	Z	A	AB	D	E	F	BA	A	AB	D	E	F	BA	
C51AB	1/2	3/4	127	89	111	78	33	70	127	127	71	56	90	164	---	---	---	---	---	---	---
C51BC	3/4	1	127	89	113	78	33	71	127	127	71	56	90	164	130	130	79	62	100	167	
C51CD	1	1 1/4	127	92	116	81	38	76	127	127	71	56	90	164	130	130	79	62	100	171	
C51DE	1 1/4	1 1/2	127	94	125	95	48	78	---	---	---	---	---	---	130	130	79	62	100	181	



Single Phase ODP Motors

Pump Size				48 Frame (1/3 - 1 HP)								56 Frame (1 1/2 - 2 HP)			
Model	Disch.	Suction	Imp. Ø	DD	DF	X	Y	Z	A	D	E	H	BA	D	AG
C51AB	1/2	3/4	127	89	111	78	33	70	156	76	54	5/16-18	183	---	---
C51BC	3/4	1	127	89	113	78	33	71	156	76	54	5/16-18	197	---	---
C51CD	1	1 1/4	127	92	116	81	38	76	156	76	54	5/16-18	192	89	278
C51DE	1 1/4	1 1/2	127	94	125	95	48	78	156	76	54	5/16-18	198	89	278

**NOTES:** All dimensions in inches. May vary ± 6 MM.  
 Not for construction purposes unless certified.  
 \*See motor dimension (Section Motors) for "C-AH" dimension  
 (Varies depending on motor enclosure).

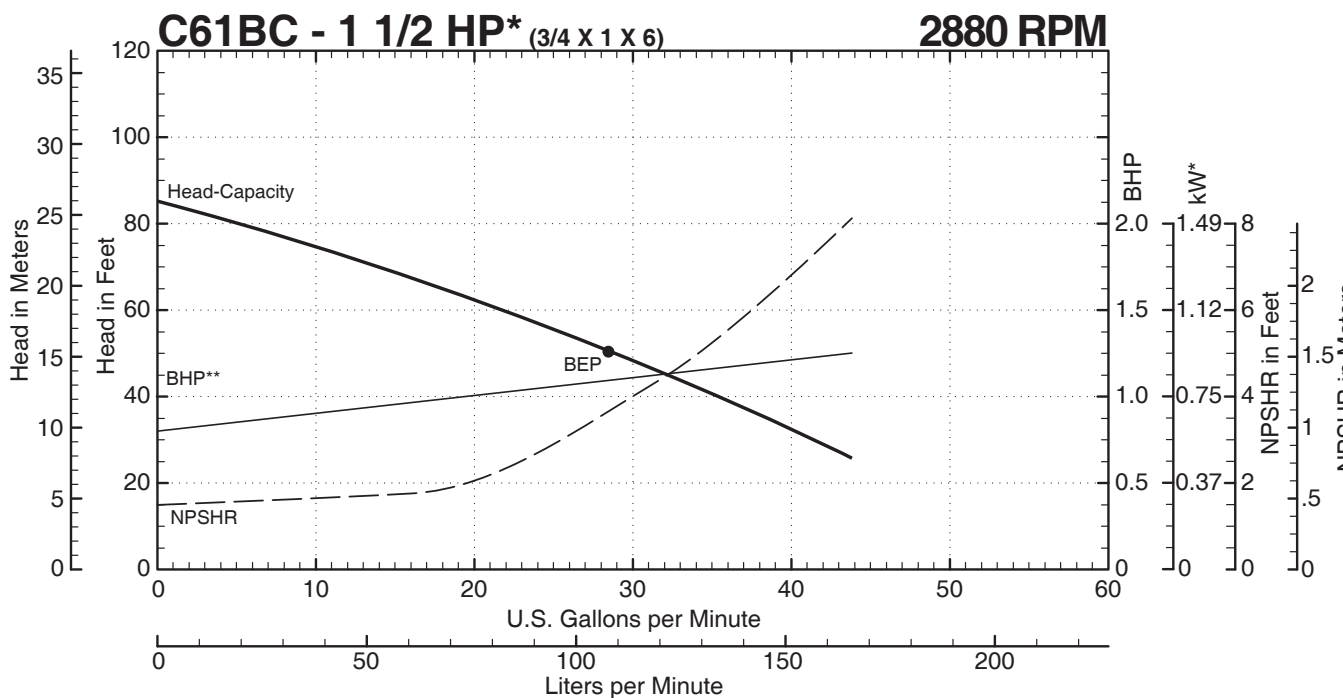
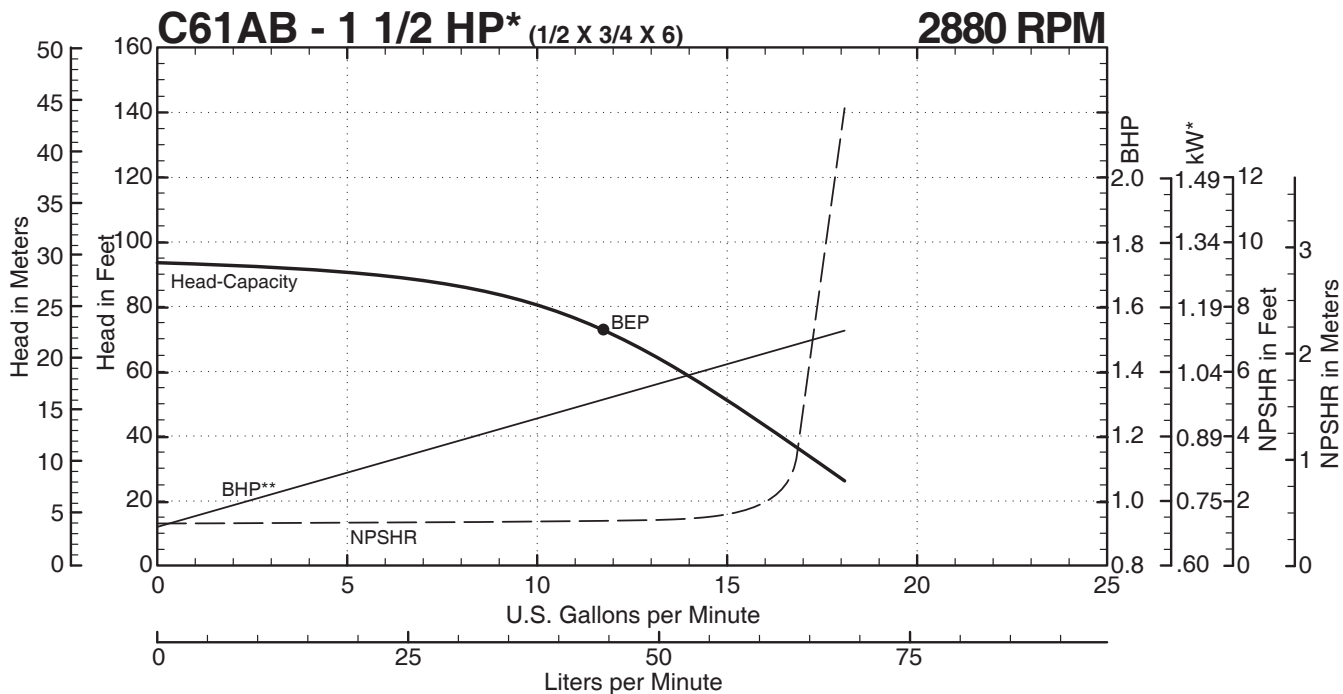


401 West Main Street • Plano, IL 60545-1436  
 Phone: 630-552-4115 • Fax: 630-552-3688  
 Email: SALES@MTHPUMPS.COM  
 http://WWW.MTHPUMPS.COM



C41 • C51 • C61 SERIES

# C61 Metric Performance Curves



**C SERIES PUMPS**



**MTH PUMPS**

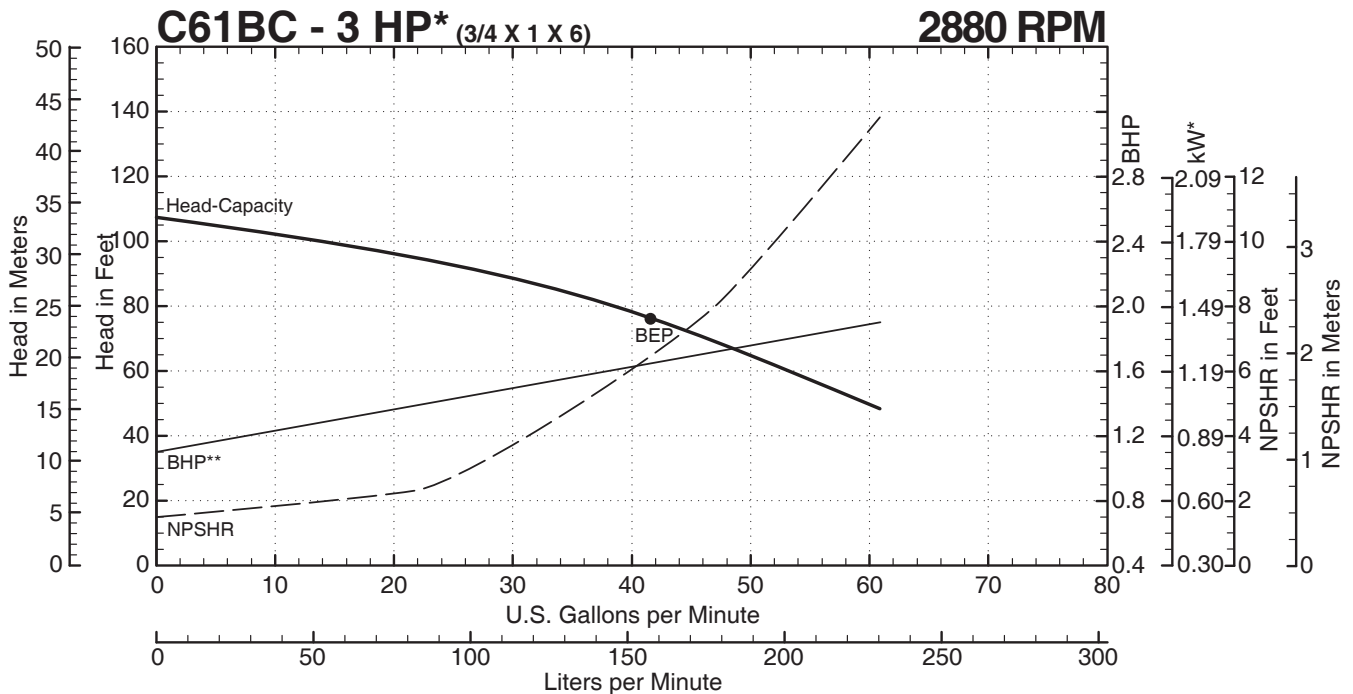
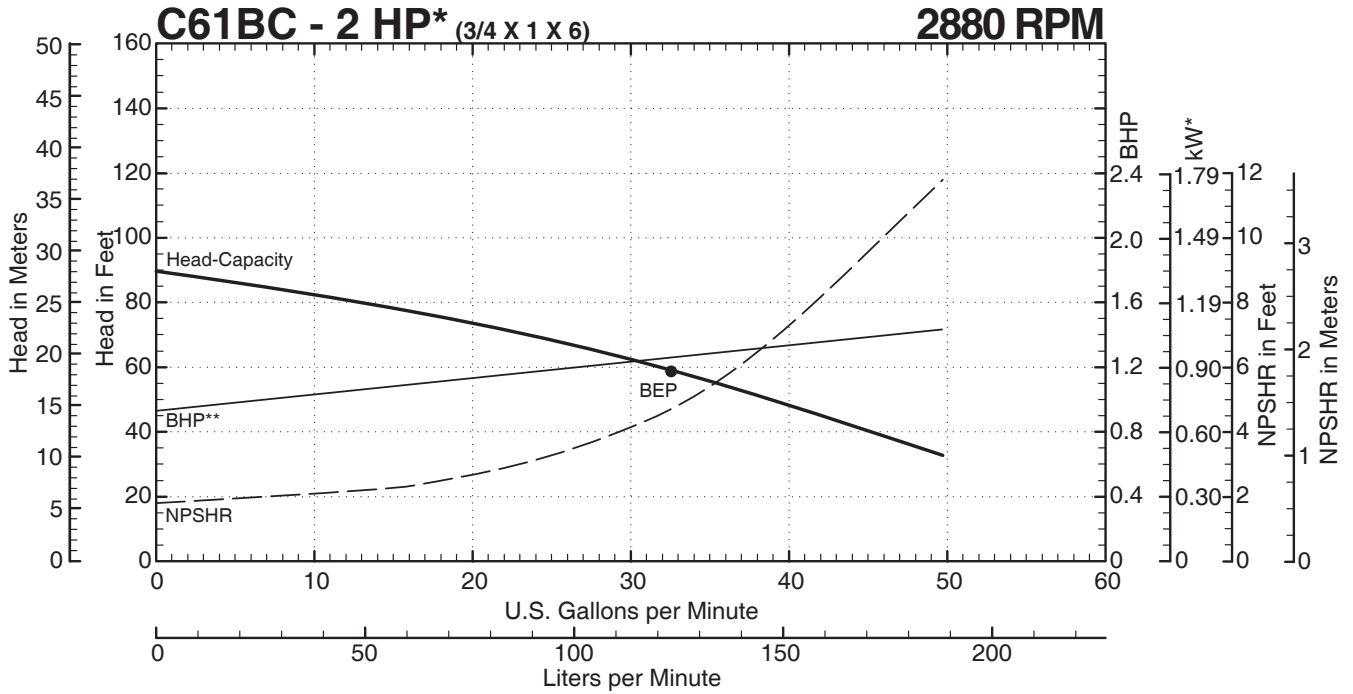
401 West Main Street • Plano, IL 60545-1436  
 Phone: 630-552-4115 • Fax: 630-552-3688  
 Email: SALES@MTHPUMPS.COM  
 http://WWW.MTHPUMPS.COM

\*High Service Factor Motor Horsepower Selections - See Standard Motor Guide and/or Motor Price Sheets for more information.  
 \*\*BHP data valid for 1.0 specific gravity fluids only.

C41 • C51 • C61 SERIES

# C61 Metric Performance Curves

C SERIES PUMPS



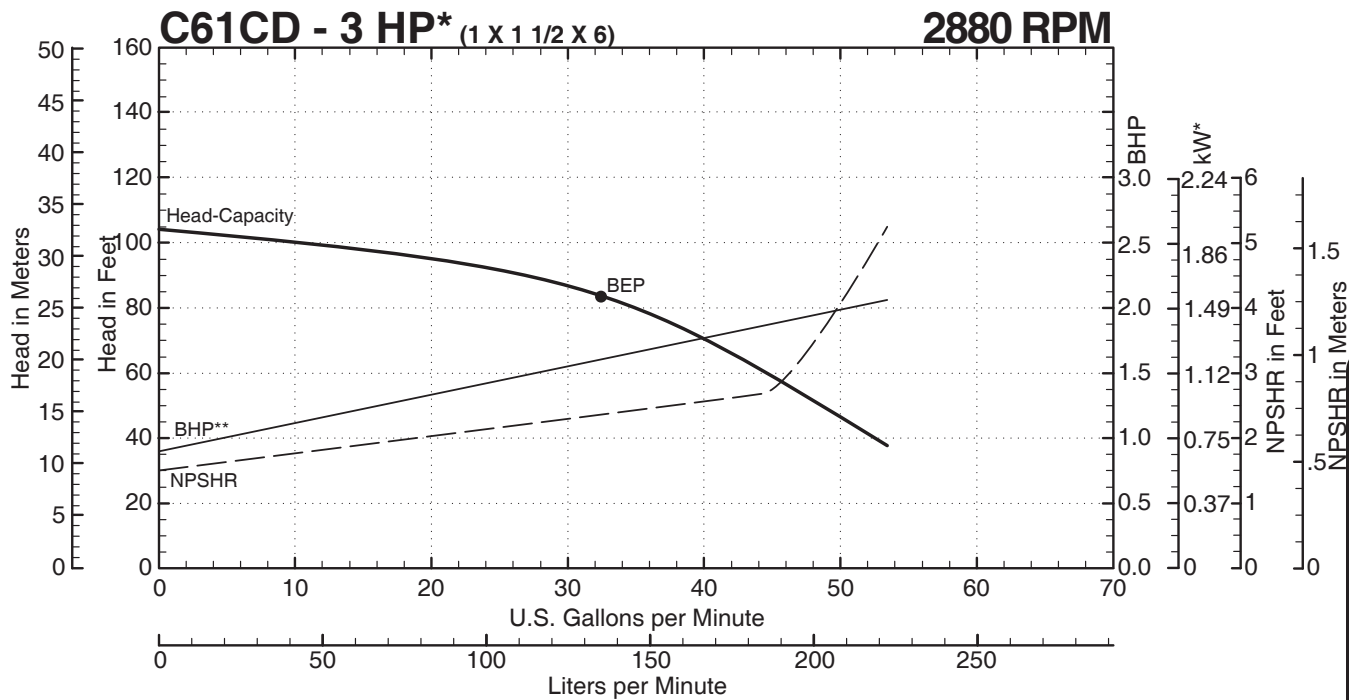
## MTH PUMPS

401 West Main Street • Plano, IL 60545-1436  
 Phone: 630-552-4115 • Fax: 630-552-3688  
 Email: SALES@MTHPUMPS.COM  
<http://WWW.MTHPUMPS.COM>

\*High Service Factor Motor Horsepower Selections - See Standard Motor Guide and/or Motor Price Sheets for more information.  
 \*\*BHP data valid for 1.0 specific gravity fluids only.

C41 • C51 • C61 SERIES

# C61 Metric Performance Curves



**C SERIES PUMPS**



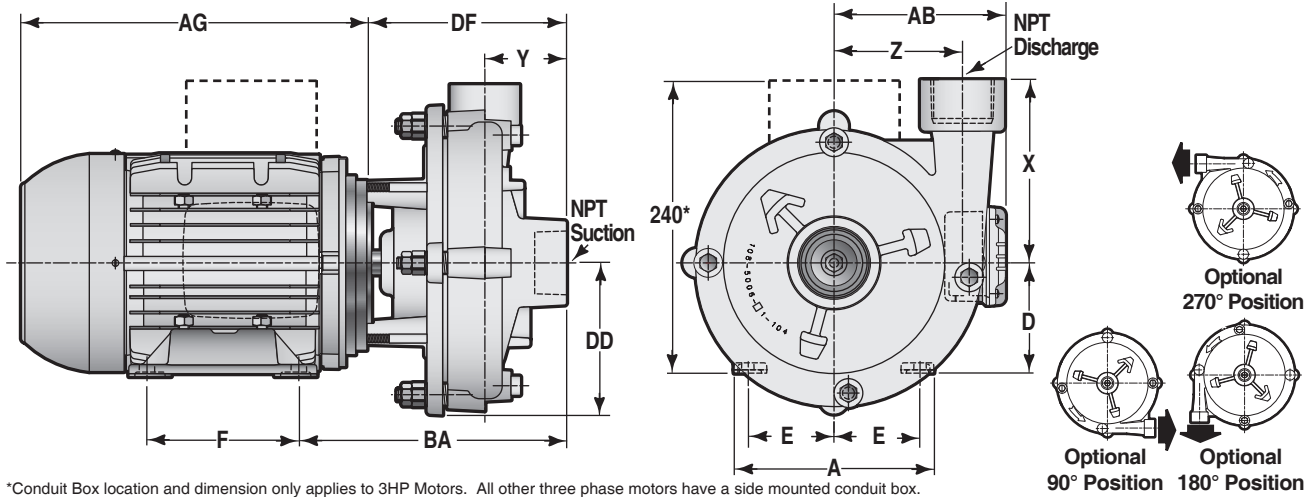
**MTH PUMPS**

401 West Main Street • Plano, IL 60545-1436  
 Phone: 630-552-4115 • Fax: 630-552-3688  
 Email: SALES@MTHPUMPS.COM  
 http://WWW.MTHPUMPS.COM

\*High Service Factor Motor Horsepower Selections - See Standard Motor Guide and/or Motor Price Sheets for more information.  
 \*\*BHP data valid for 1.0 specific gravity fluids only.

C41 • C51 • C61 SERIES

# C61 Metric Dimensions



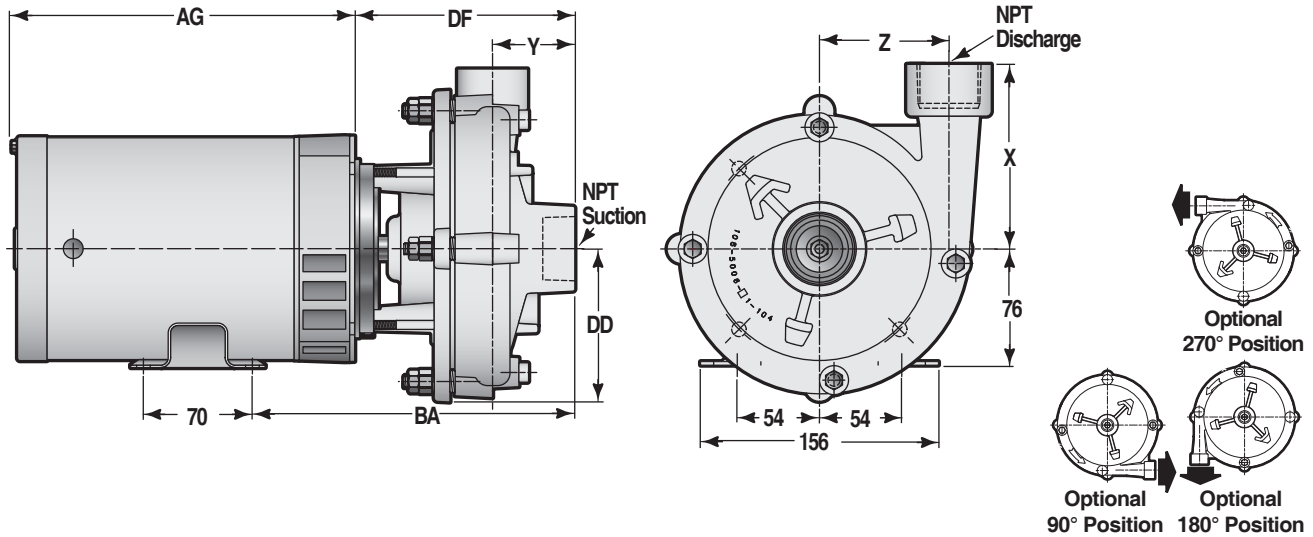
**Pump Size**

Model	Disch.	Suction	Imp. Ø	DD	DF	X	Y	Z
C61AB	1/2	3/4	152	100	117	87	38	84
C61BC	3/4	1	152	100	113	100	33	83
C61CD	1	1 1/4	152	103	132	117	54	81

**3 Phase TEFC Motors**

Frame	A	AB	D	E	F	BA	AG
80 (1 1/2HP - 2HP)	156	130	79	64	100	173	240
	156	130	79	64	100	173	240
90 Frame (3HP)	170	149	90	70	125	197	287
	170	149	90	70	125	197	287

All units in inches



**Pump Size**

Model	Disch.	Suction	Imp. Ø	DD	DF	X	Y	Z
C61AB	1/2	3/4	152	100	117	87	38	84
C61BC	3/4	1	152	100	113	100	33	83

**Single Phase ODP Motors**

56 Frame (1 1/2 - 2 HP)	BA	AG
	183	359
	197	346

C SERIES PUMPS



## MTH PUMPS

401 West Main Street • Plano, IL 60545-1436  
 Phone: 630-552-4115 • Fax: 630-552-3688  
 Email: SALES@MTHPUMPS.COM  
 http://WWW.MTHPUMPS.COM