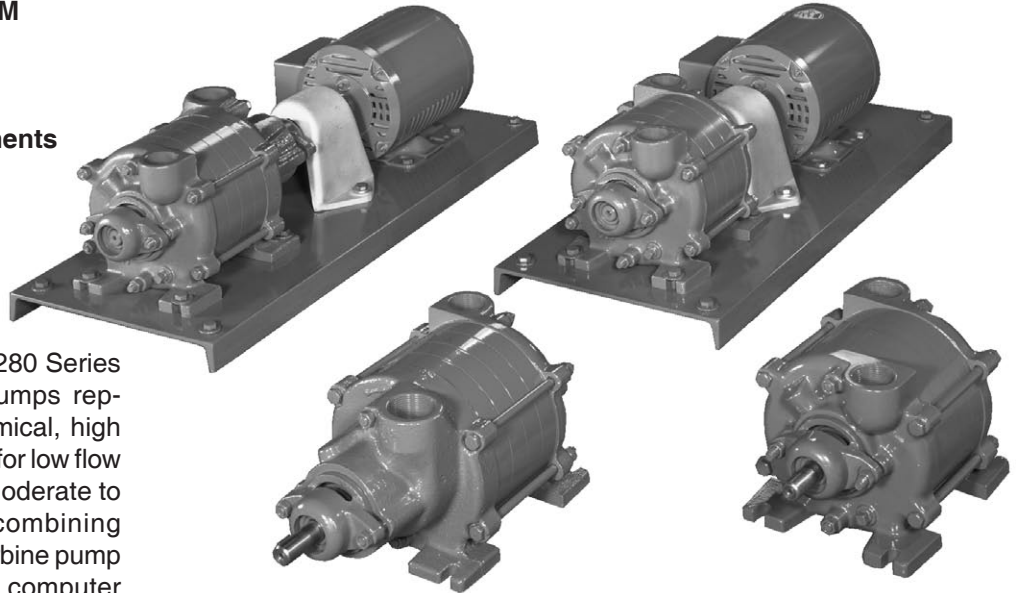


## MTH PUMPS

# 140 • 240 • 180 • 280 Series 50Hz Metric Edition

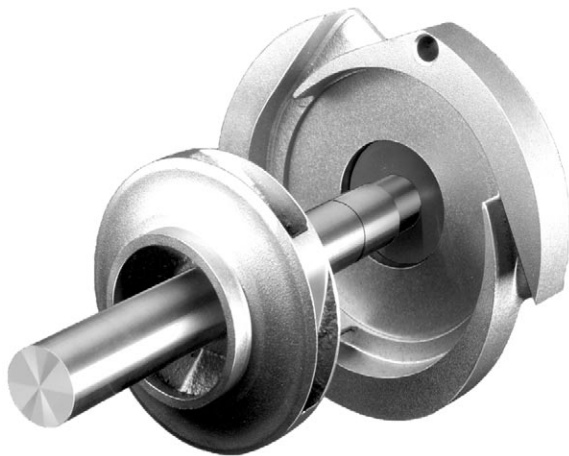
- Capacities to 185 LPM
- Heads to 180 Meters
- Low NPSH Requirements
- Flex Coupled



MTH 140 • 240 • 180 • 280 Series regenerative turbine pumps represent the most economical, high performance alternative for low flow applications involving moderate to high pressures. By combining years of regenerative turbine pump designs with precision computer controlled manufacturing, the 100 • 200 Series delivers high efficiency pumping operation, even at low NPSH. High quality parts and an easily serviceable design provide low maintenance and long life.

## LOW NPSH

## 200 Series Inducer



The 200 Series inducer style pumps are ideally suited to applications where available NPSH at the pump inlet is limited, such as boiler feed water deaerator service.

A centrifugal Francis vane impeller with low NPSH characteristics is utilized as the pump's first stage impeller, accounting for the lower inlet head requirement.

This first stage impeller is used in conjunction with a multi-vane diffuser to provide the NPSH required by the second stage regenerative turbine.

Available NPSH as low as two feet can be effectively handled with 240 • 280 Series pumps, depending on the pump model and capacity.



## MTH PUMPS

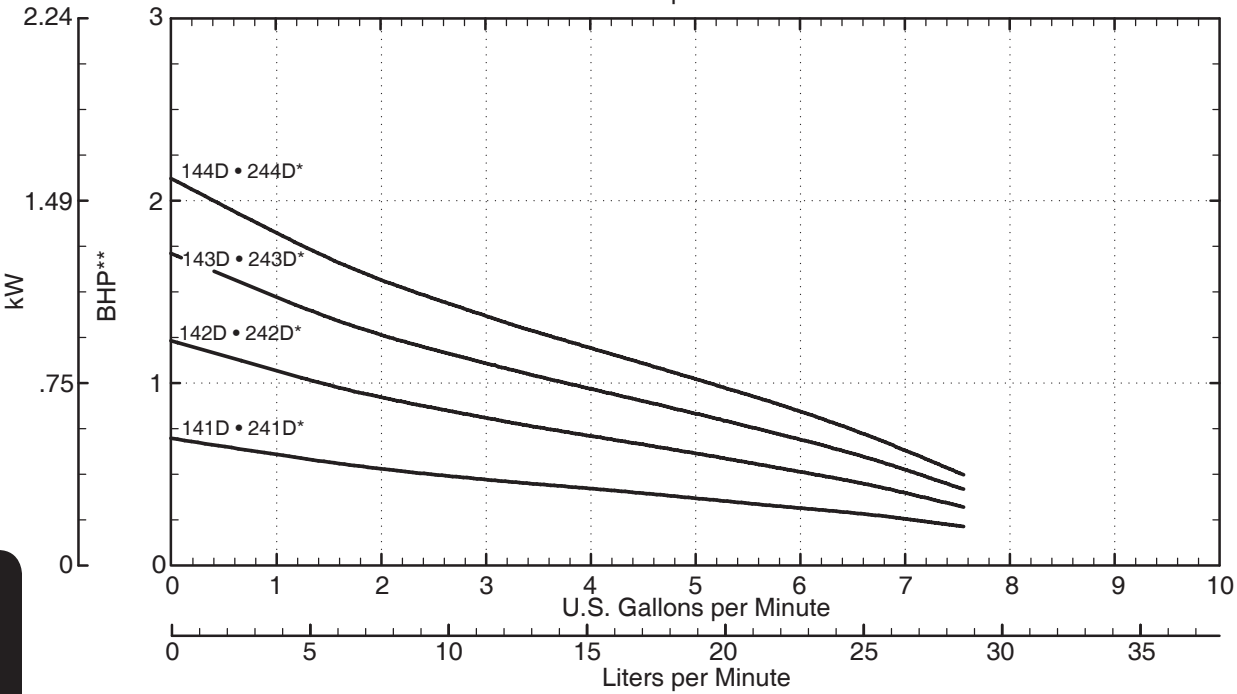
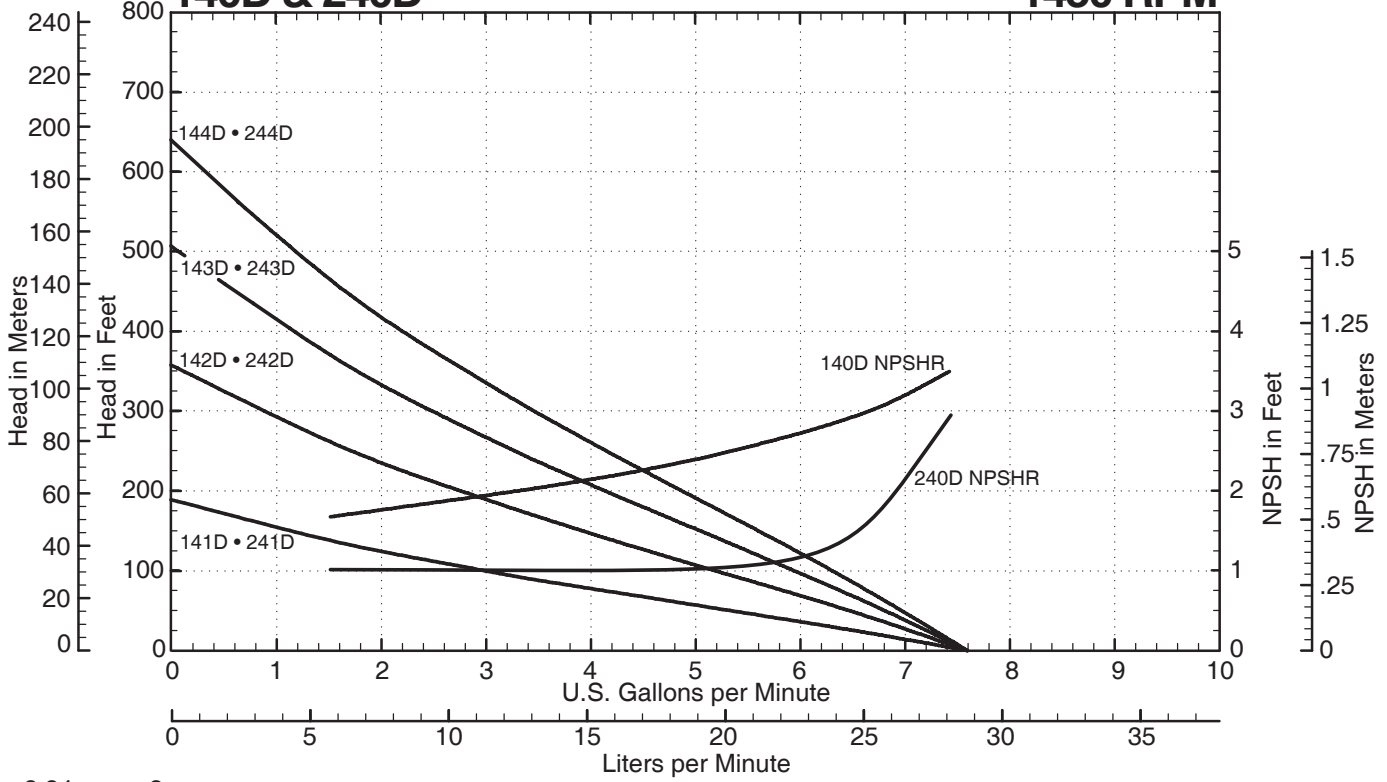
401 West Main Street • Plano, IL 60545-1436  
Phone: 630-552-4115 • Fax: 630-552-3688  
Email: SALES@MTHPUMPS.COM  
<http://WWW.MTHPUMPS.COM>

140 • 240 • 180 • 280 SERIES

# Performance Curves

## 140D & 240D\*

## 1450 RPM



140 • 240 SERIES PUMPS

**NOTES**

- Consult factory for operation below 5 LPM
- \*Add 1/2 horsepower for 240 Series models
- \*\*Horsepower data is valid for 1.0 specific gravity fluids only

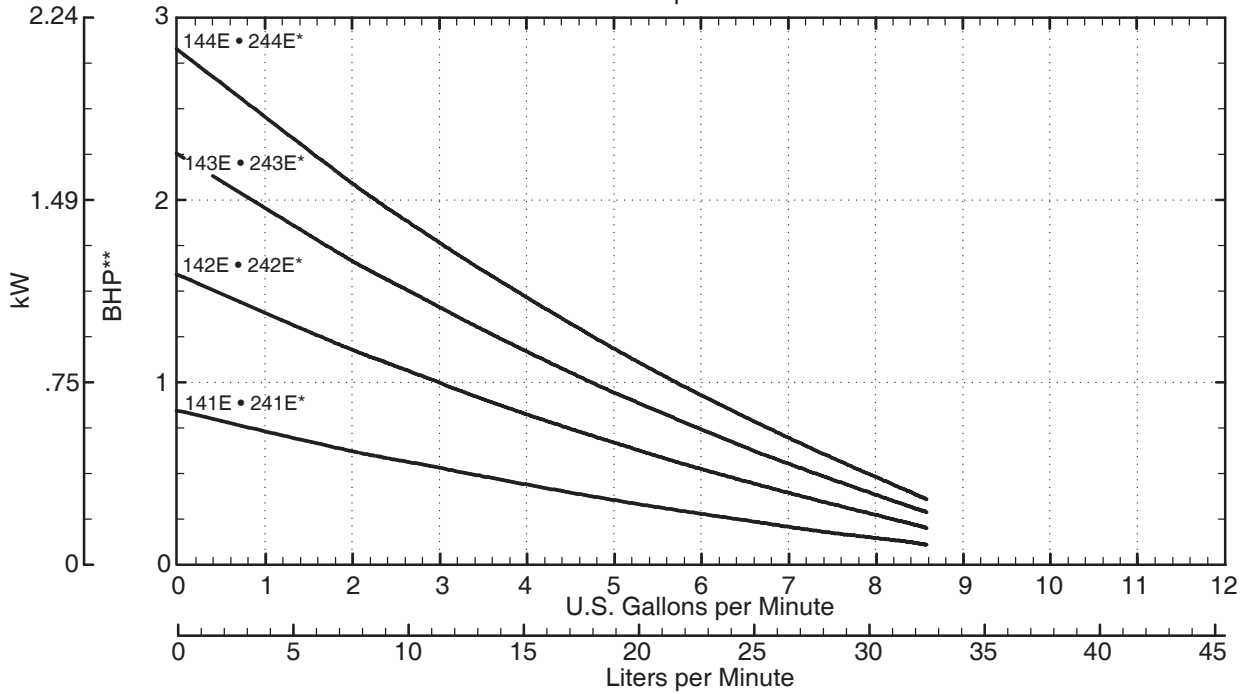
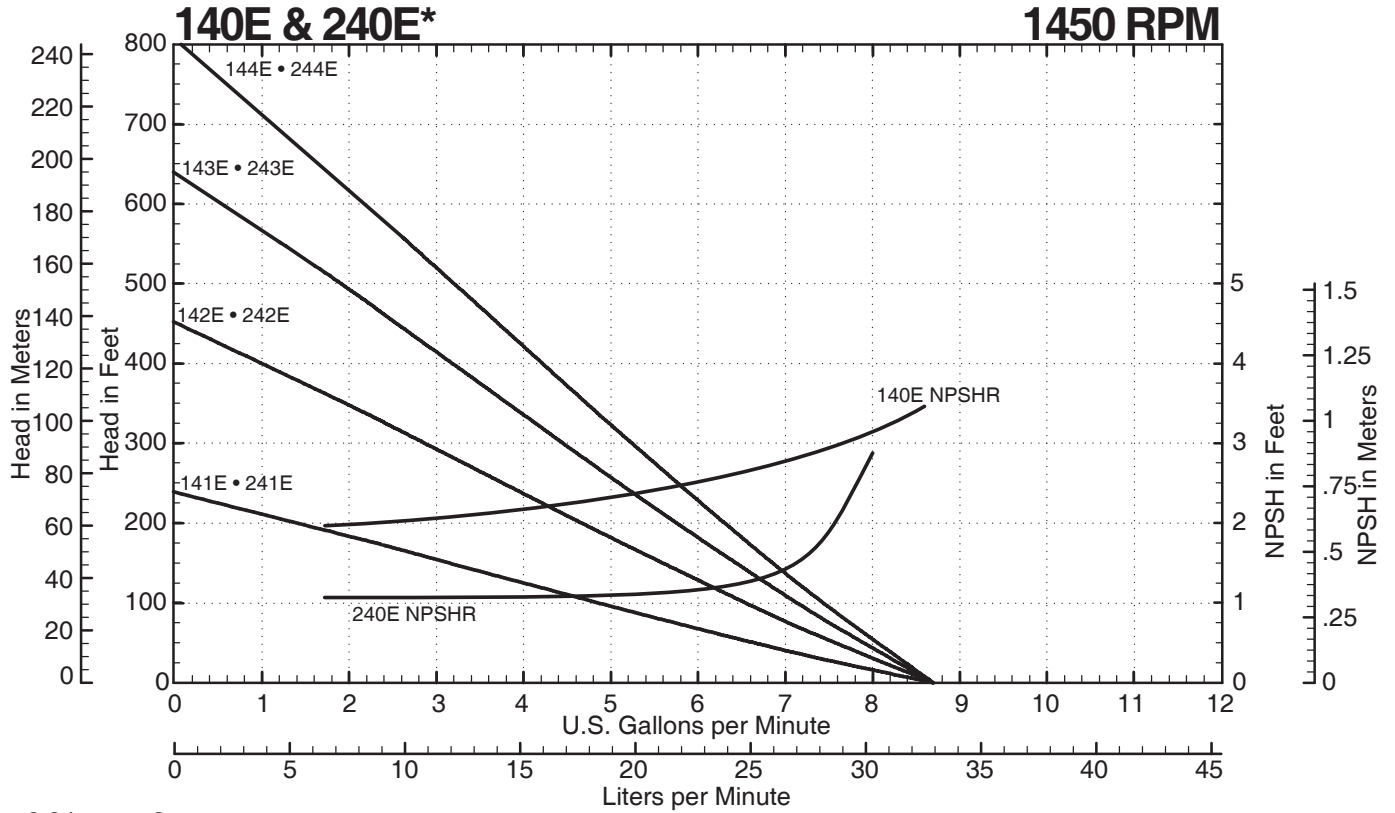


# MTH PUMPS

401 West Main Street • Plano, IL 60545-1436  
 Phone: 630-552-4115 • Fax: 630-552-3688  
 Email: SALES@MTHPUMPS.COM  
 http://WWW.MTHPUMPS.COM

140 • 240 • 180 • 280 SERIES

# Performance Curves



**NOTES**

Consult factory for operation below 5 LPM  
 \*Add 1/2 horsepower for 240 Series models  
 \*\*Horsepower data is valid for 1.0 specific gravity fluids only



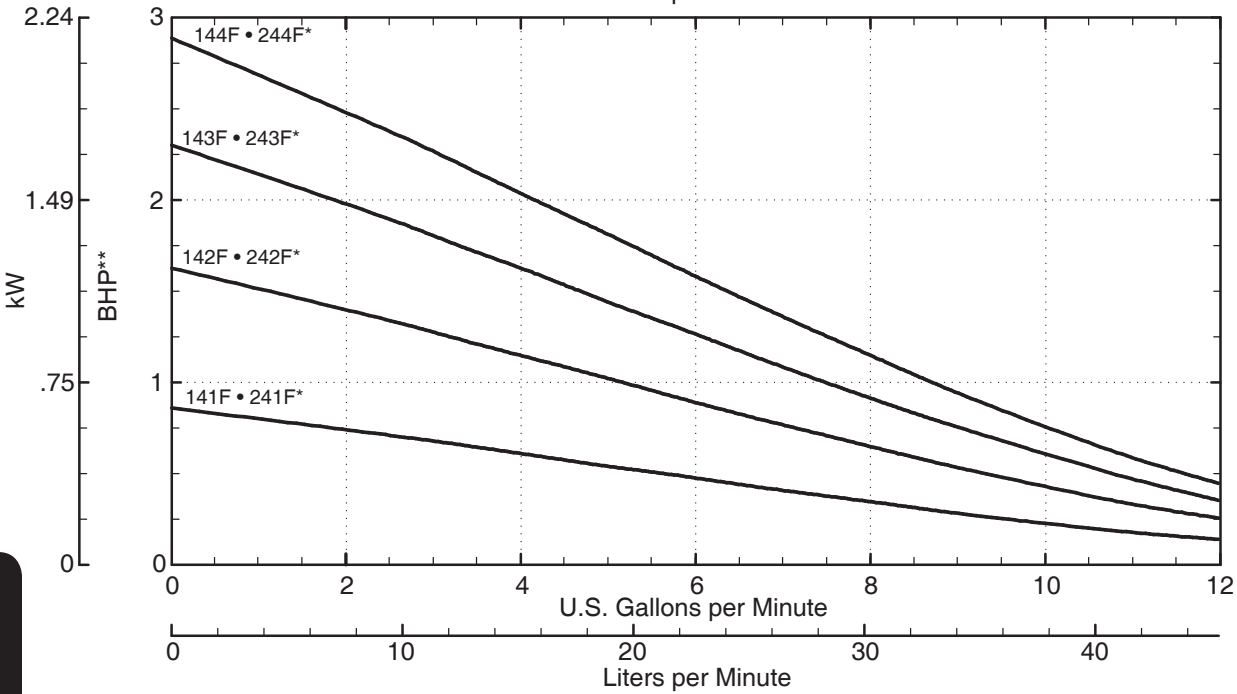
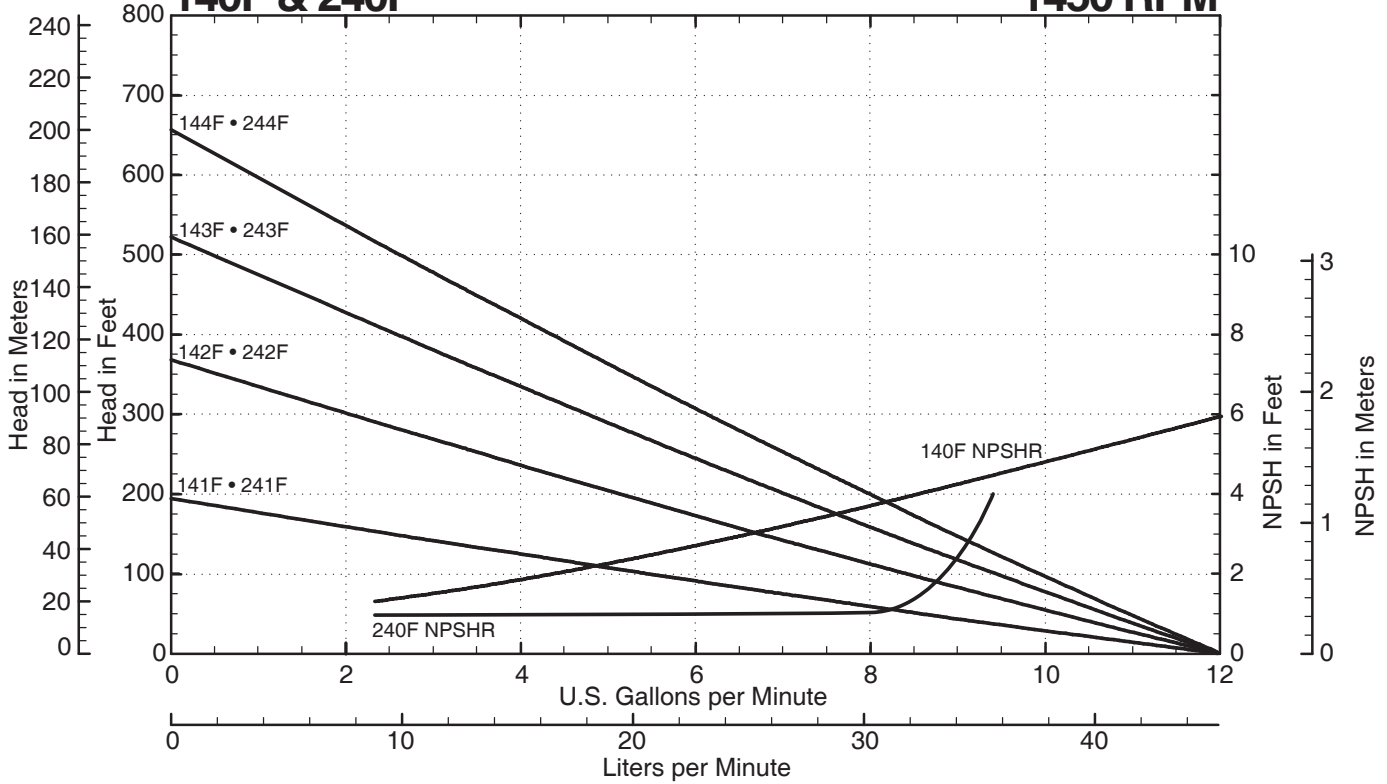
401 West Main Street • Plano, IL 60545-1436  
 Phone: 630-552-4115 • Fax: 630-552-3688  
 Email: SALES@MTHPUMPS.COM  
 http://WWW.MTHPUMPS.COM

140 • 240 • 180 • 280 SERIES

# Performance Curves

## 140F & 240F\*

## 1450 RPM



140 • 240 SERIES PUMPS

**NOTES**

Consult factory for operation below 7 LPM

\*Add 1/2 horsepower for 240 Series models

\*\*Horsepower data is valid for 1.0 specific gravity fluids only



# MTH PUMPS

401 West Main Street • Plano, IL 60545-1436

Phone: 630-552-4115 • Fax: 630-552-3688

Email: SALES@MTHPUMPS.COM

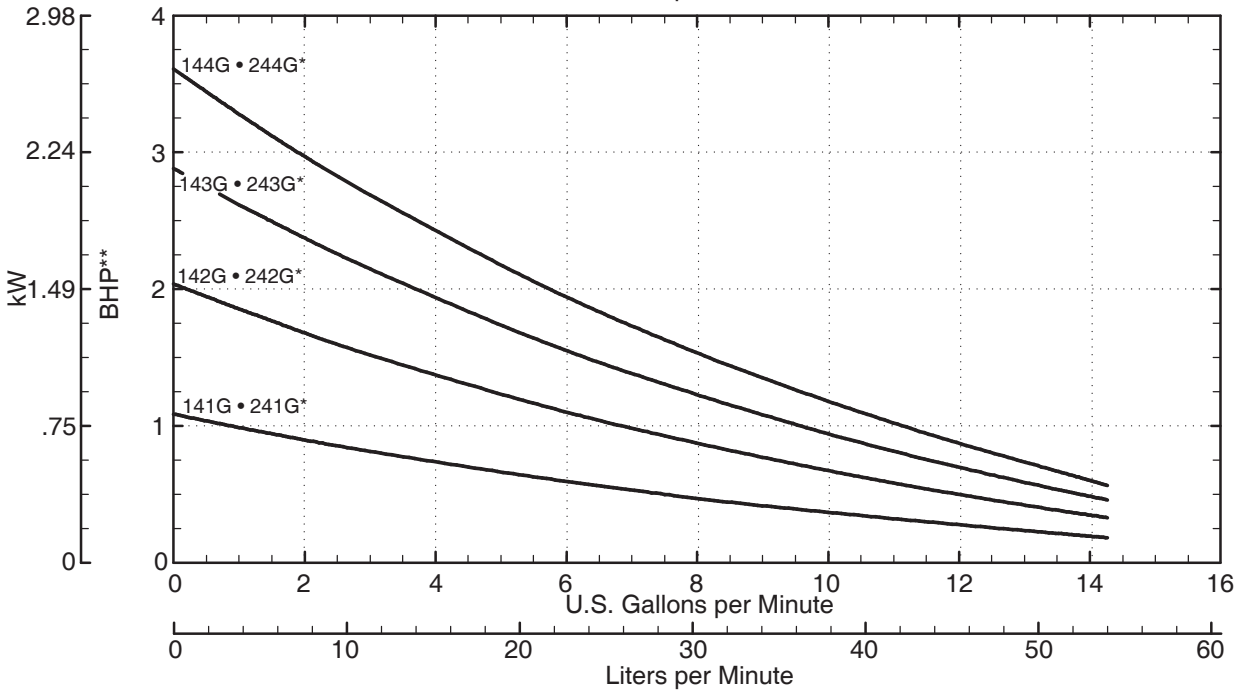
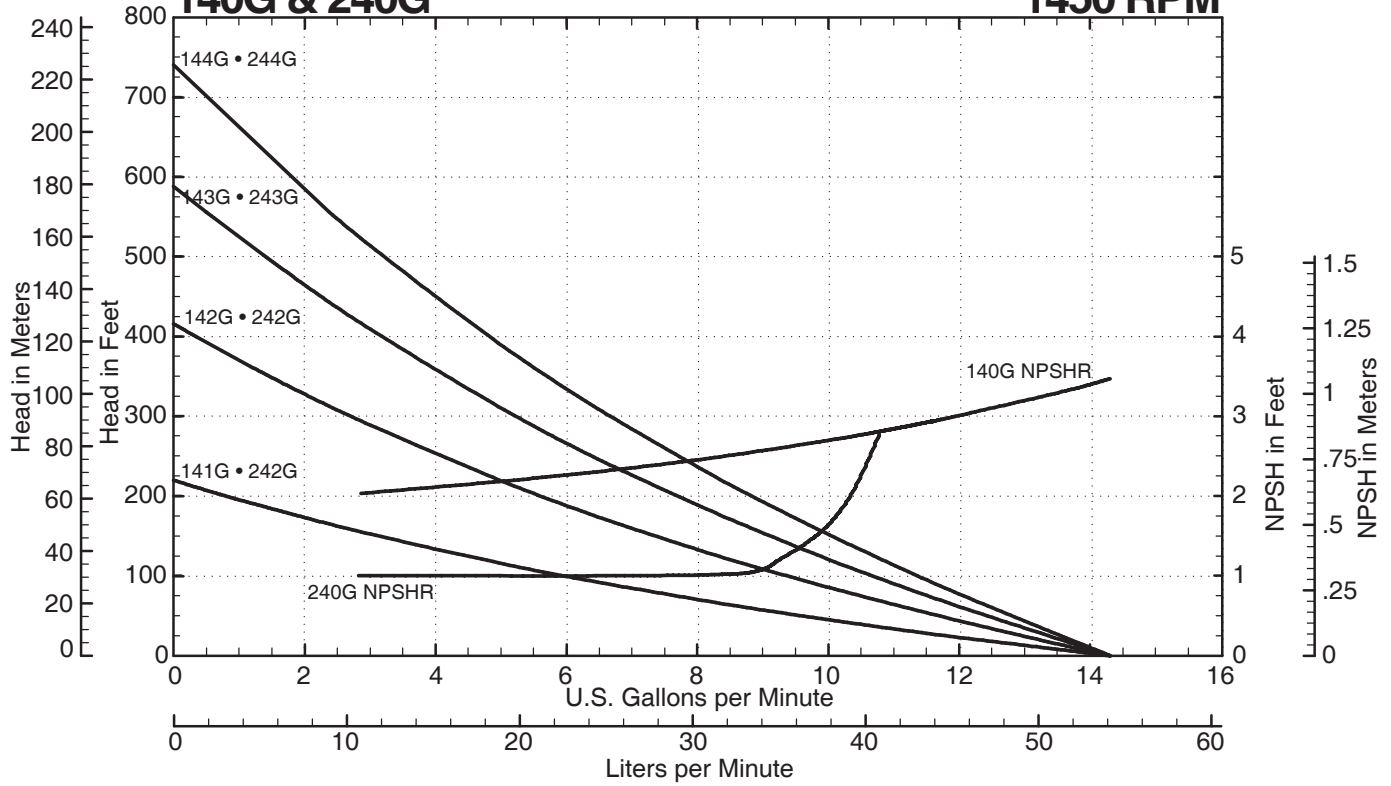
http://WWW.MTHPUMPS.COM

140 • 240 • 180 • 280 SERIES

# Performance Curves

## 140G & 240G\*

## 1450 RPM



**NOTES**

Consult factory for operation below 9 LPM  
 \*Add 1/2 horsepower for 240 Series models  
 \*\*Horsepower data is valid for 1.0 specific gravity fluids only



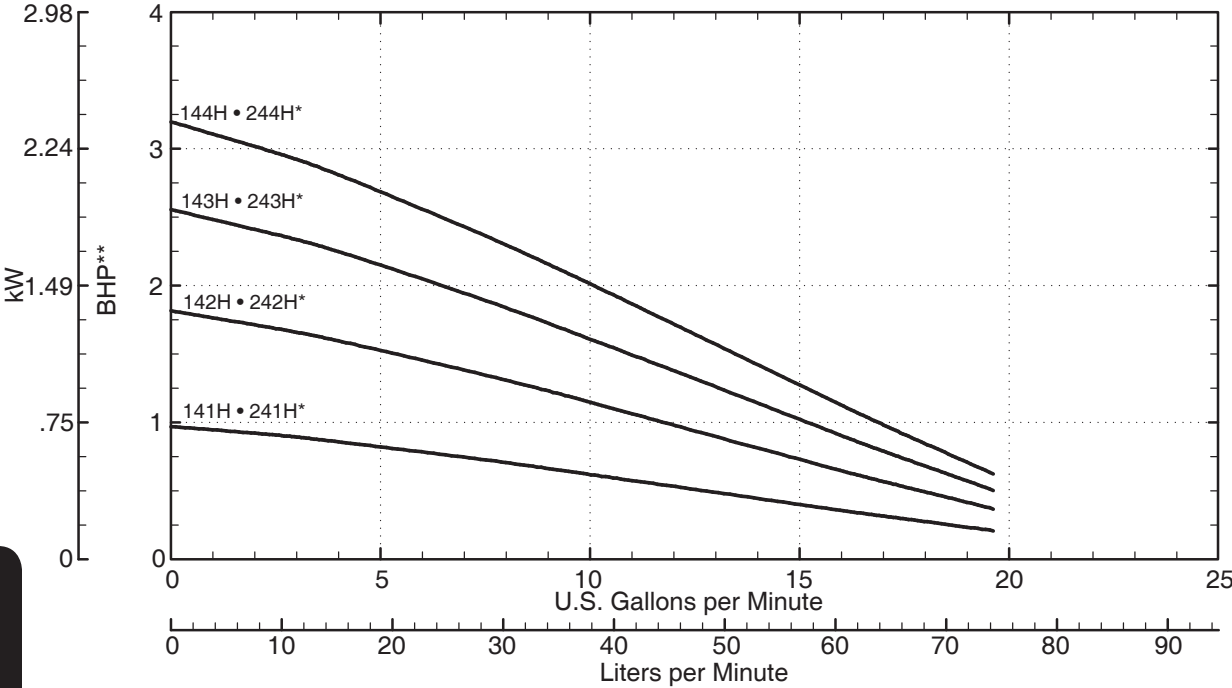
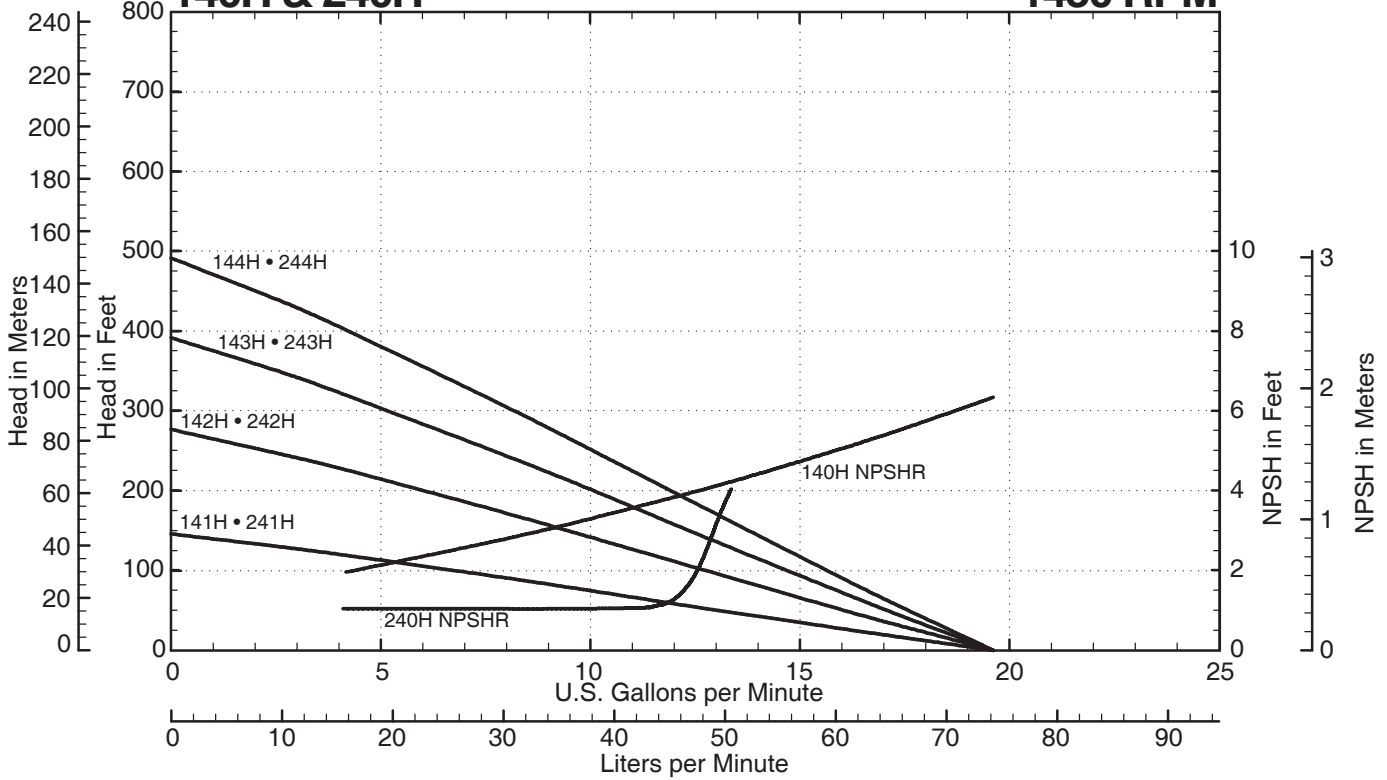
401 West Main Street • Plano, IL 60545-1436  
 Phone: 630-552-4115 • Fax: 630-552-3688  
 Email: SALES@MTHPUMPS.COM  
 http://WWW.MTHPUMPS.COM

140 • 240 • 180 • 280 SERIES

# Performance Curves

## 140H & 240H\*

## 1450 RPM



140 • 240 SERIES PUMPS

**NOTES**

Consult factory for operation below 11 LPM  
 \*Add 1/2 horsepower for 240 Series models  
 \*\*Horsepower data is valid for 1.0 specific gravity fluids only



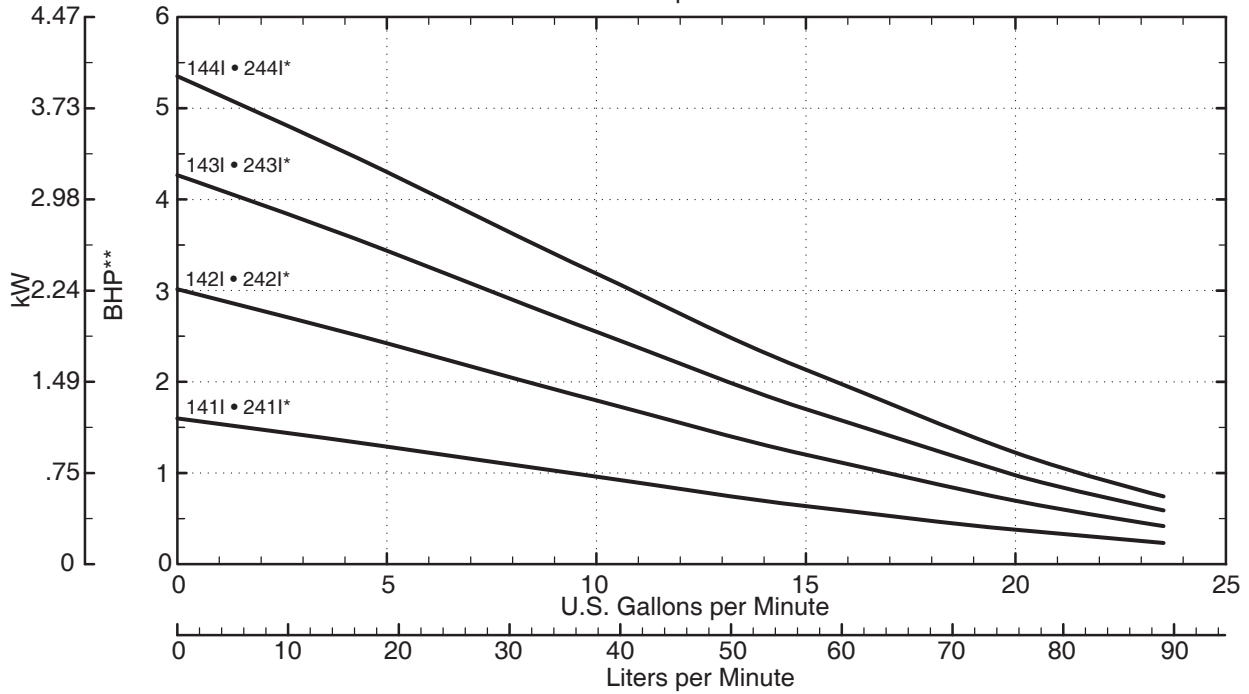
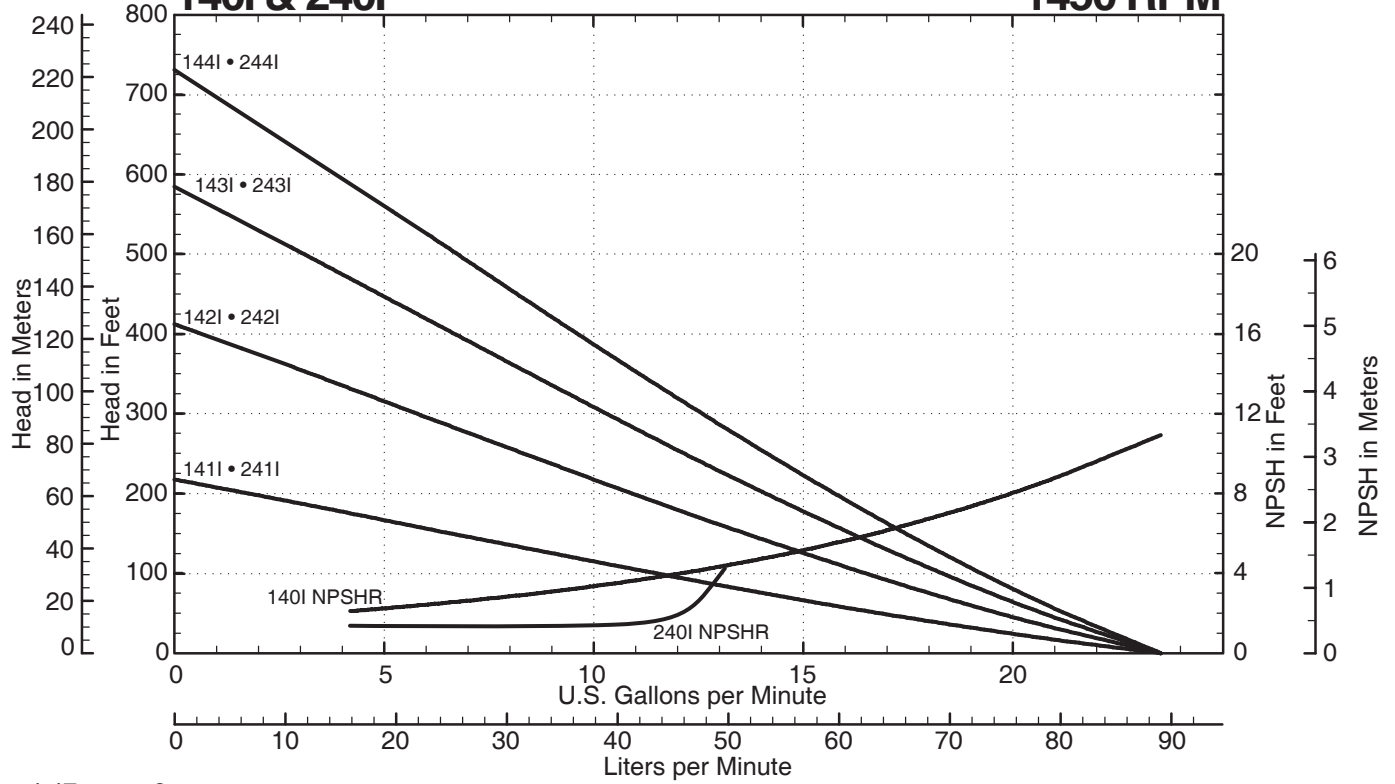
**MTH PUMPS**  
 401 West Main Street • Plano, IL 60545-1436  
 Phone: 630-552-4115 • Fax: 630-552-3688  
 Email: SALES@MTHPUMPS.COM  
 http://WWW.MTHPUMPS.COM

140 • 240 • 180 • 280 SERIES

# Performance Curves

## 140I & 240I\*

## 1450 RPM



**NOTES**

Consult factory for operation below 11 LPM  
 \*Add 1/2 horsepower for 240 Series models  
 \*\*Horsepower data is valid for 1.0 specific gravity fluids only



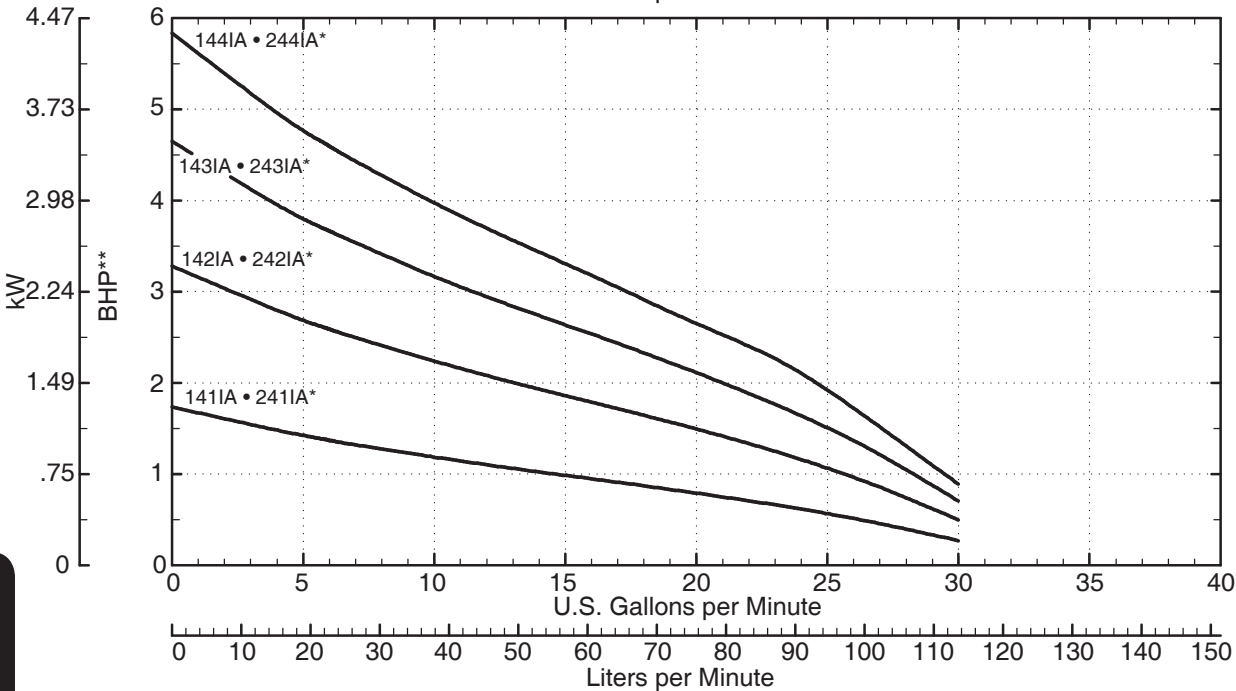
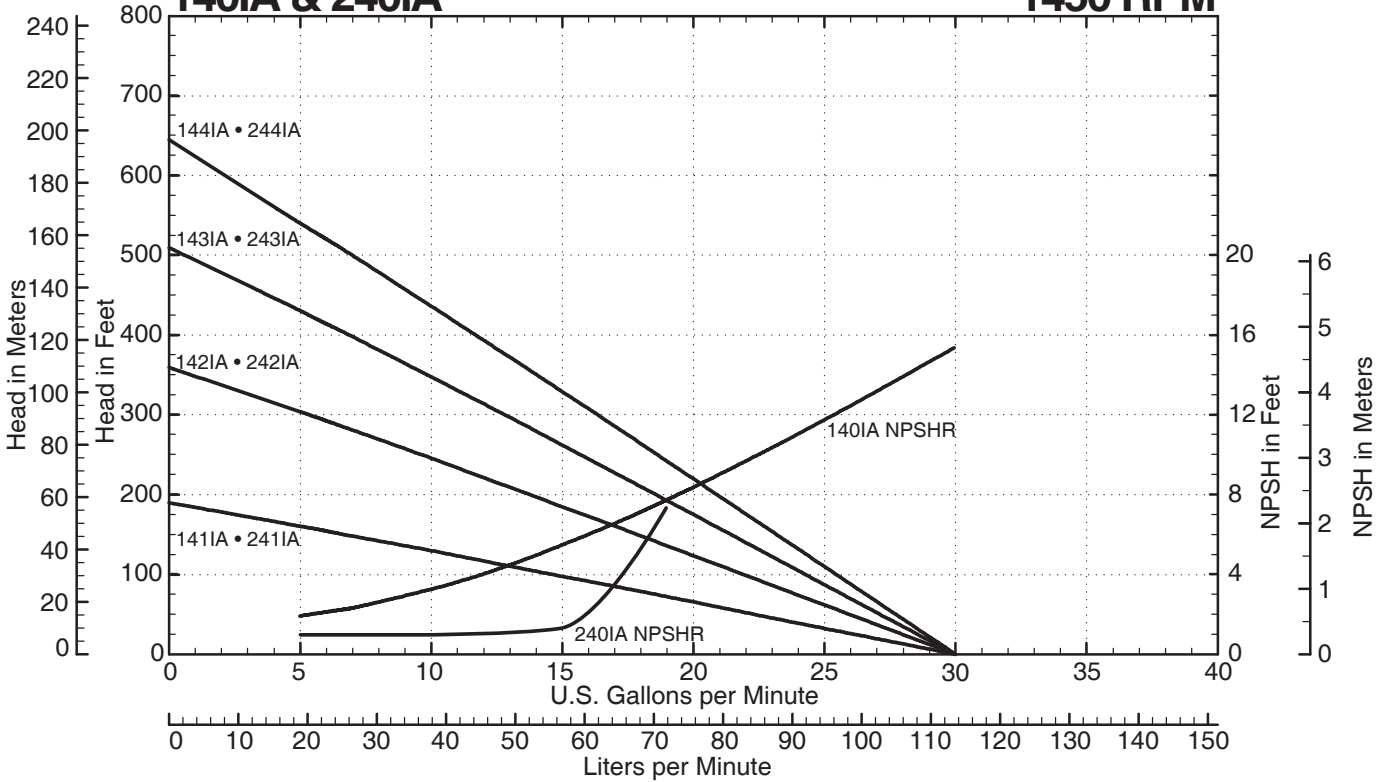
401 West Main Street • Plano, IL 60545-1436  
 Phone: 630-552-4115 • Fax: 630-552-3688  
 Email: SALES@MTHPUMPS.COM  
 http://WWW.MTHPUMPS.COM

140 • 240 • 180 • 280 SERIES

# Performance Curves

## 140IA & 240IA\*

## 1450 RPM



140 • 240 SERIES PUMPS

**NOTES**

Consult factory for operation below 18 LPM

\*Add 1/2 horsepower for 240 Series models

\*\*Horsepower data is valid for 1.0 specific gravity fluids only



# MTH PUMPS

401 West Main Street • Plano, IL 60545-1436

Phone: 630-552-4115 • Fax: 630-552-3688

Email: SALES@MTHPUMPS.COM

http://WWW.MTHPUMPS.COM

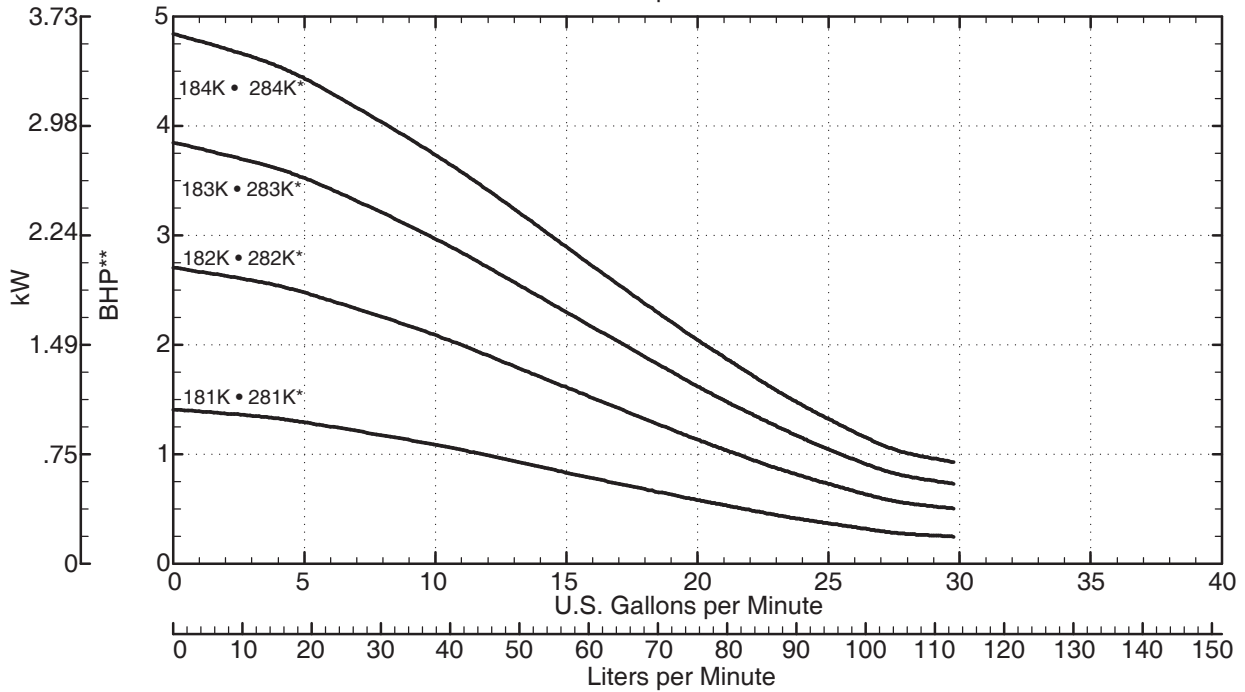
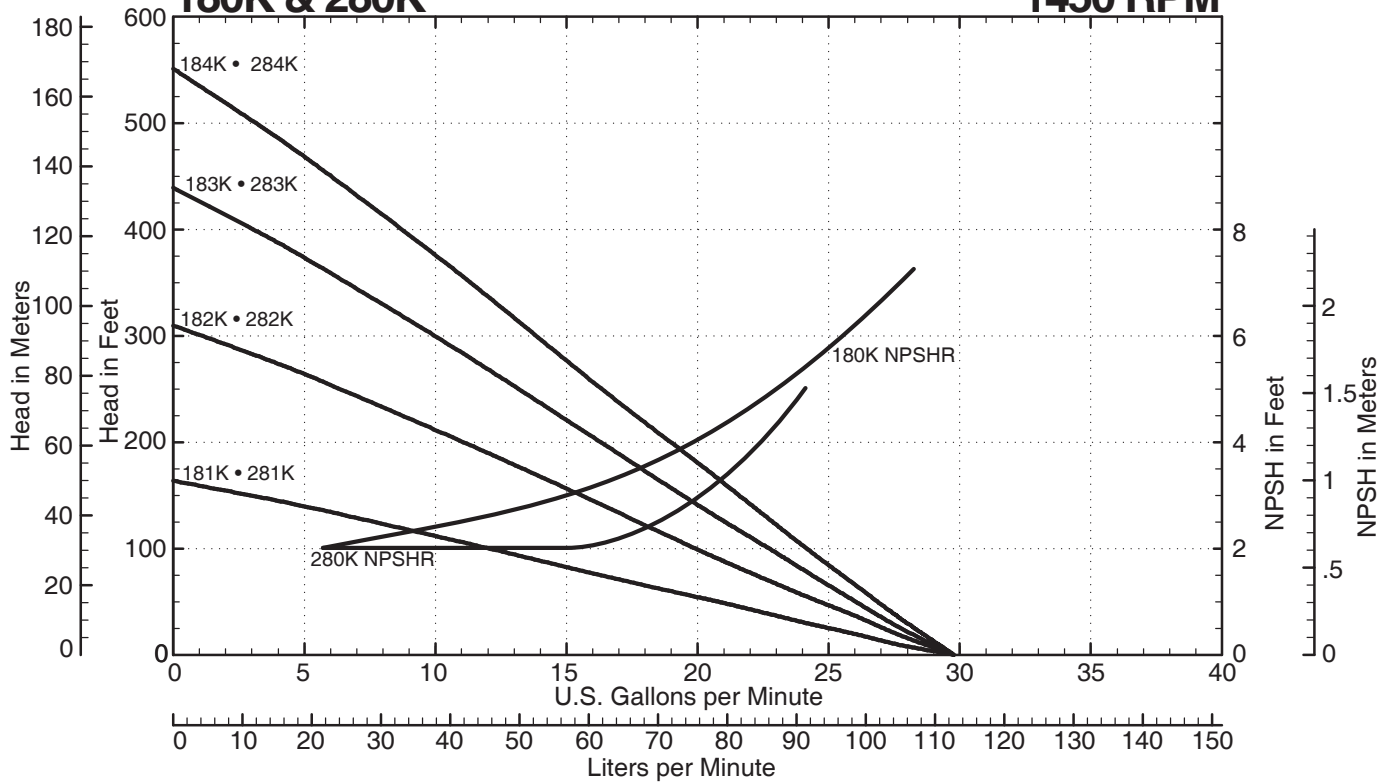


140 • 240 • 180 • 280 SERIES

# Performance Curves

## 180K & 280K\*

## 1450 RPM



**NOTES**

Consult factory for operation below 18 LPM  
 \*Add 1/2 horsepower for 280 Series models  
 \*\*Horsepower data is valid for 1.0 specific gravity fluids only



401 West Main Street • Plano, IL 60545-1436  
 Phone: 630-552-4115 • Fax: 630-552-3688  
 Email: SALES@MTHPUMPS.COM  
 http://WWW.MTHPUMPS.COM

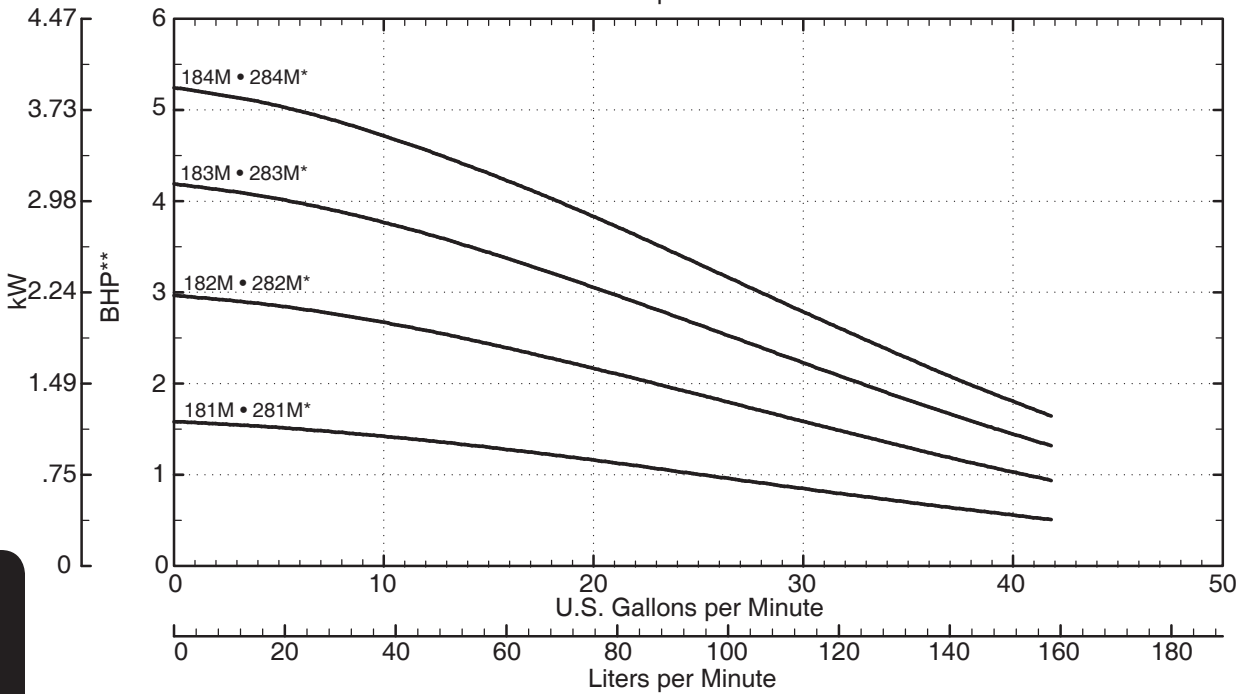
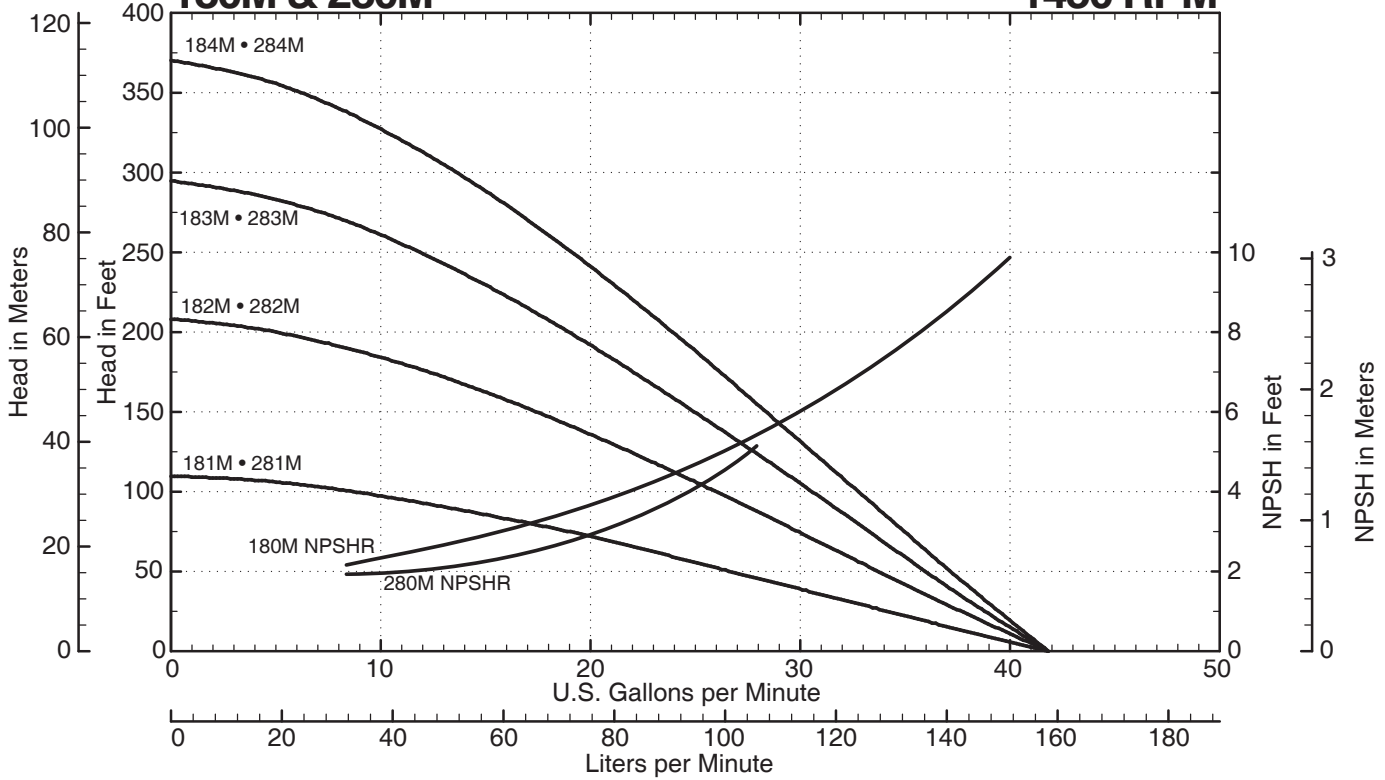
140 • 240 SERIES PUMPS

140 • 240 • 180 • 280 SERIES

# Performance Curves

## 180M & 280M\*

## 1450 RPM



140 • 240 SERIES PUMPS

**NOTES**

- Consult factory for operation below 18 LPM
- \*Add 1/2 horsepower for 280 Series models
- \*\*Horsepower data is valid for 1.0 specific gravity fluids only



# MTH PUMPS

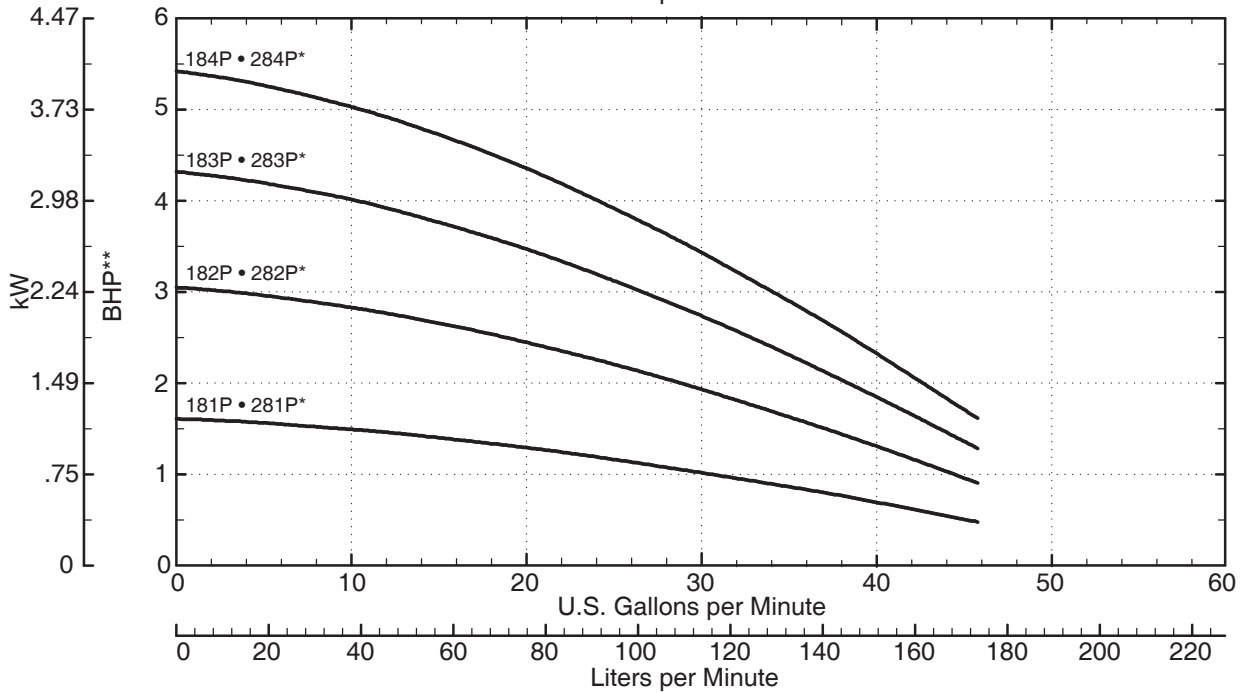
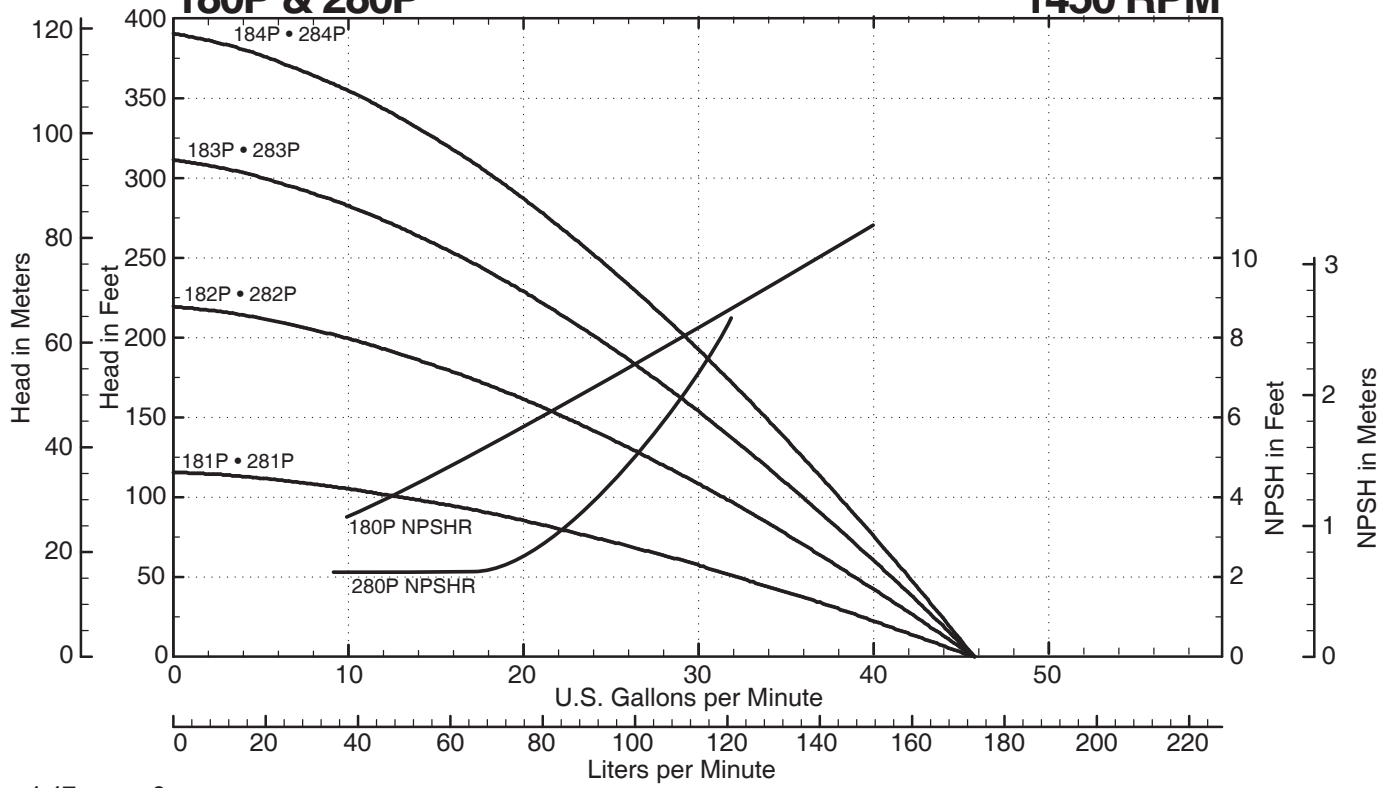
401 West Main Street • Plano, IL 60545-1436  
 Phone: 630-552-4115 • Fax: 630-552-3688  
 Email: SALES@MTHPUMPS.COM  
 http://WWW.MTHPUMPS.COM

140 • 240 • 180 • 280 SERIES

# Performance Curves

## 180P & 280P\*

## 1450 RPM



**NOTES**

Consult factory for operation below 30 LPM  
 \*Add 1/2 horsepower for 280 Series models  
 \*\*Horsepower data is valid for 1.0 specific gravity fluids only



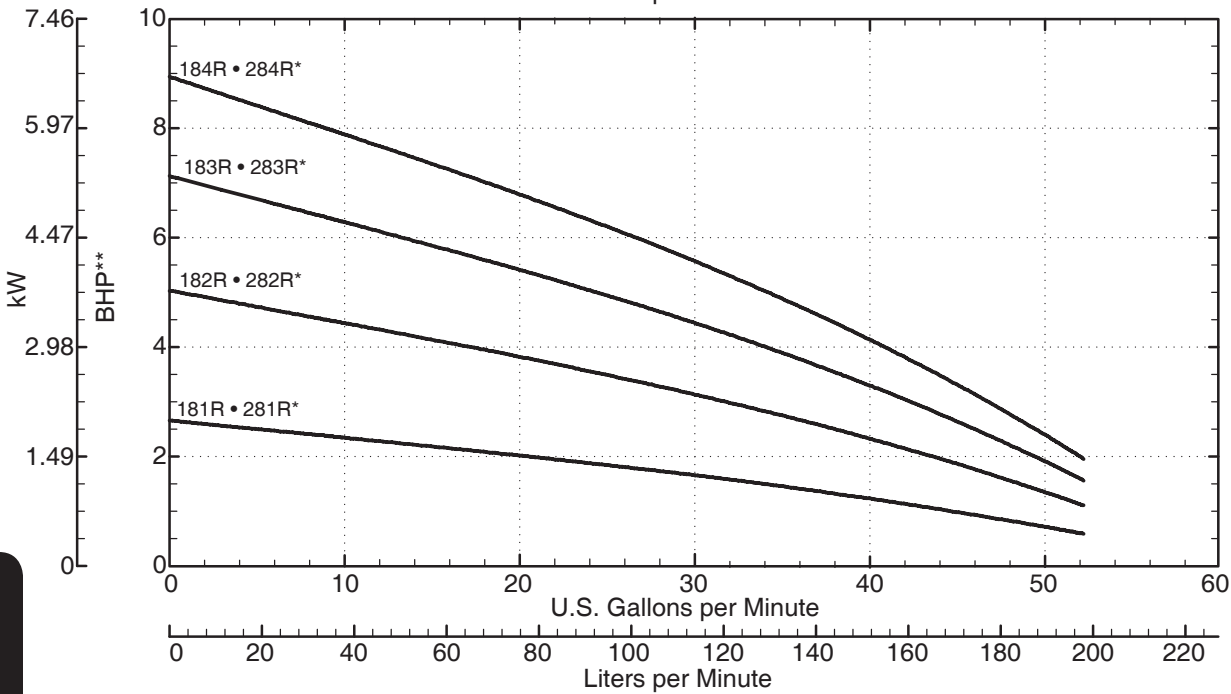
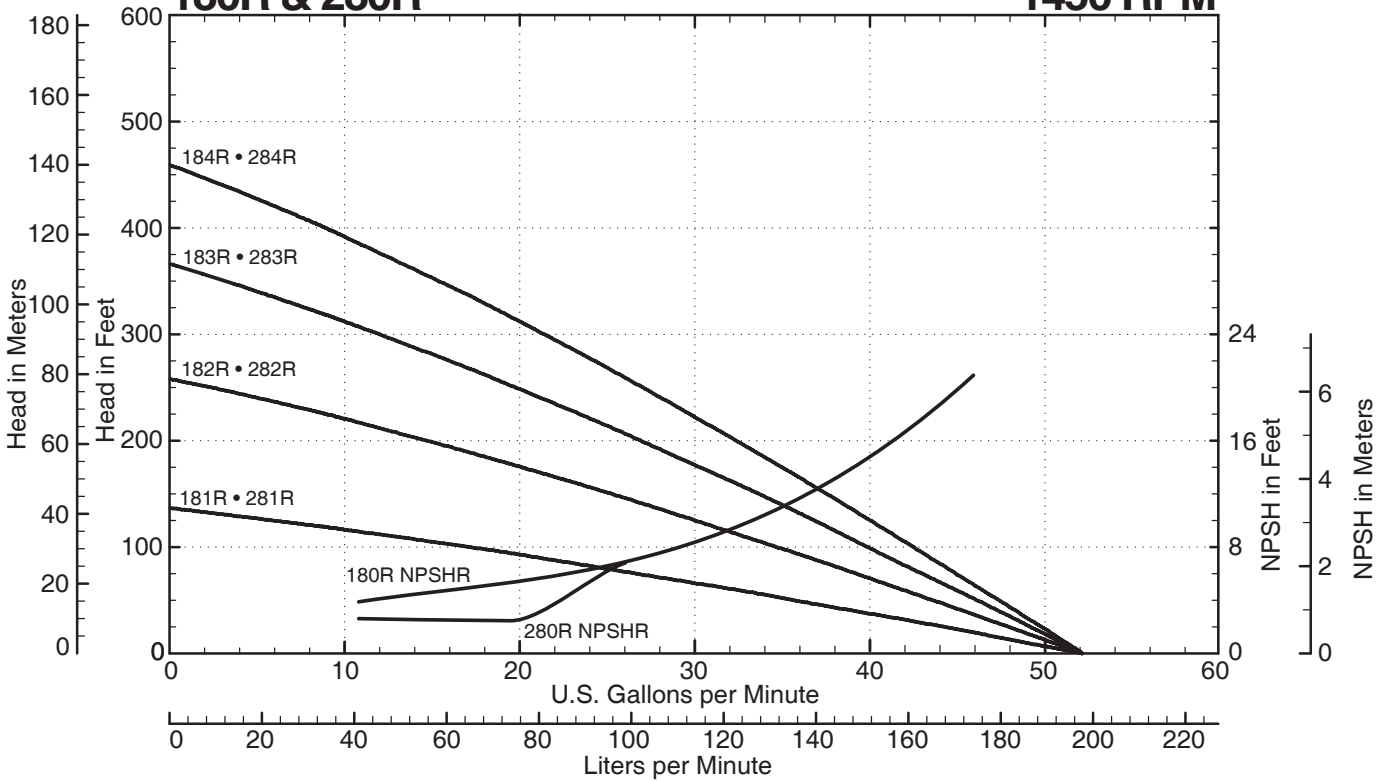
401 West Main Street • Plano, IL 60545-1436  
 Phone: 630-552-4115 • Fax: 630-552-3688  
 Email: SALES@MTHPUMPS.COM  
 http://WWW.MTHPUMPS.COM

140 • 240 • 180 • 280 SERIES

# Performance Curves

## 180R & 280R\*

## 1450 RPM



140 • 240 SERIES PUMPS

**NOTES**

- Consult factory for operation below 30 LPM
- \*Add 1/2 horsepower for 280 Series models
- \*\*Horsepower data is valid for 1.0 specific gravity fluids only



# MTH PUMPS

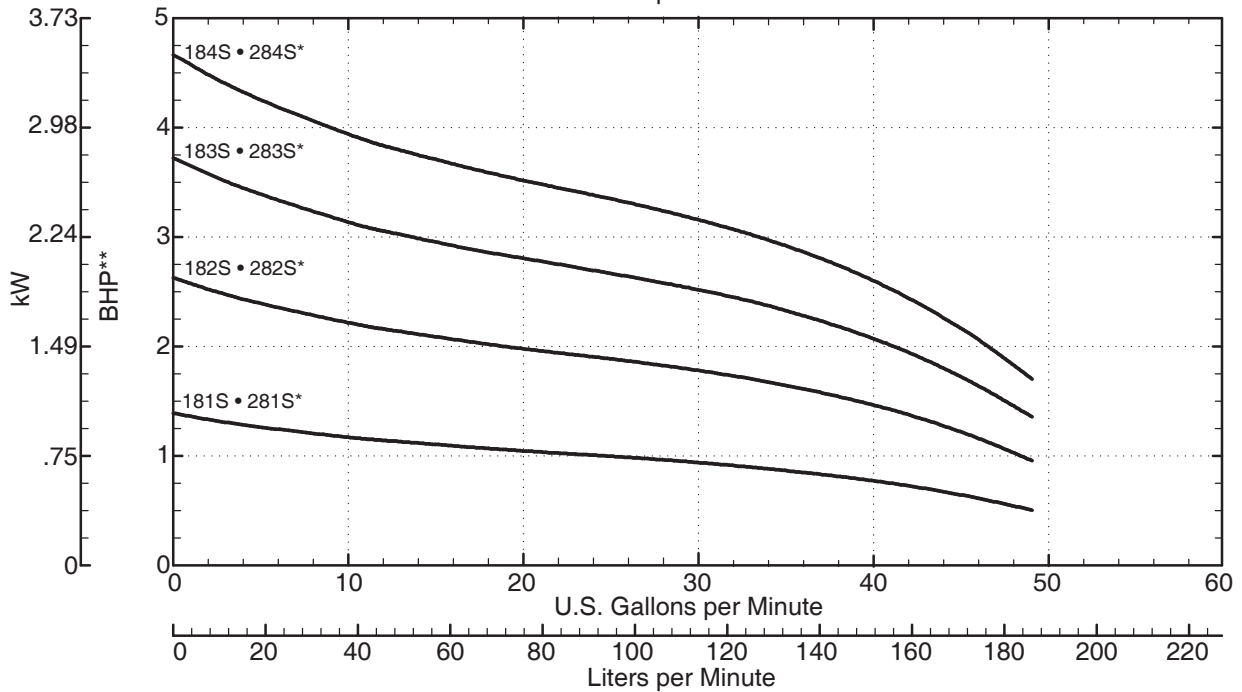
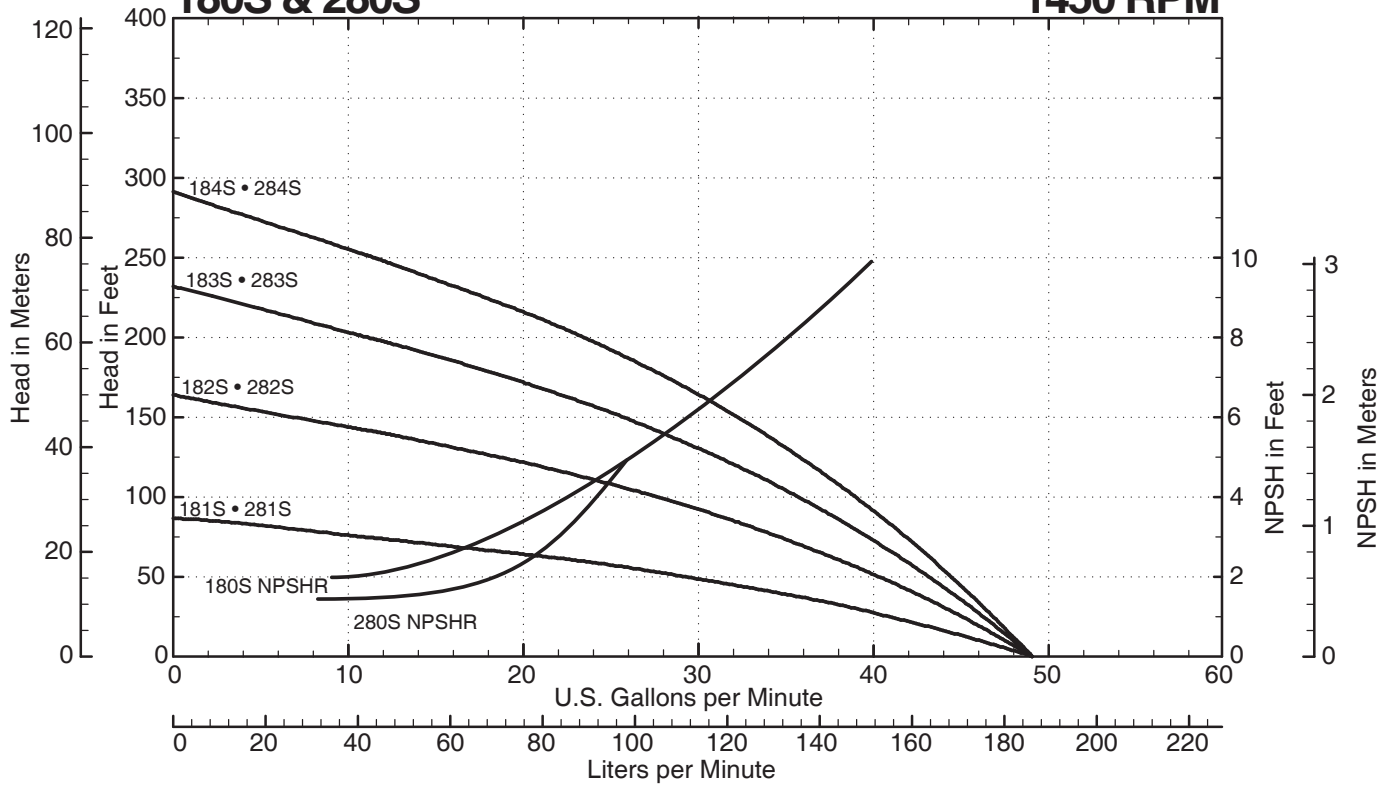
401 West Main Street • Plano, IL 60545-1436  
 Phone: 630-552-4115 • Fax: 630-552-3688  
 Email: SALES@MTHPUMPS.COM  
 http://WWW.MTHPUMPS.COM

140 • 240 • 180 • 280 SERIES

# Performance Curves

## 180S & 280S\*

## 1450 RPM



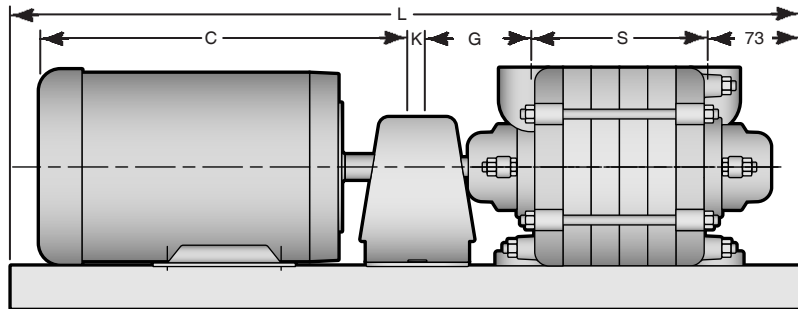
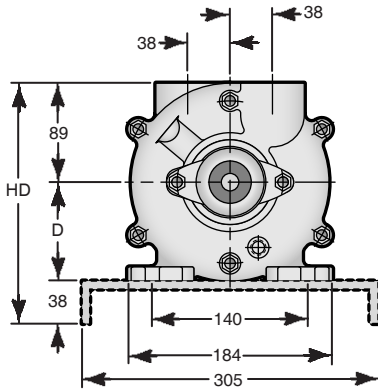
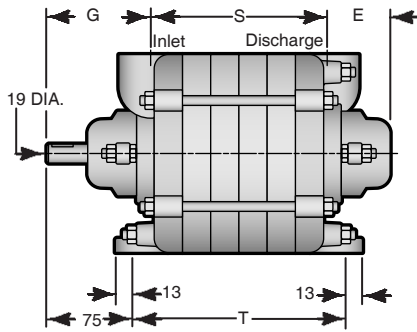
**NOTES**

Consult factory for operation below 37 LPM  
 \*Add 1/2 horsepower for 280 Series models  
 \*\*Horsepower data is valid for 1.0 specific gravity fluids only



401 West Main Street • Plano, IL 60545-1436  
 Phone: 630-552-4115 • Fax: 630-552-3688  
 Email: SALES@MTHPUMPS.COM  
 http://WWW.MTHPUMPS.COM

# Dimensions



## Pump Only Dimensions

PUMP SERIES	INLET	DISCHARGE	E	G	S	T
141	1 1/4" NPT	1 1/4" NPT	54	97	108	152
142	1 1/4" NPT	1 1/4" NPT	54	97	159	203
143	1 1/4" NPT	1 1/4" NPT	54	97	210	254
144	1 1/4" NPT	1 1/4" NPT	54	97	260	305
181	1 1/2" NPT	1 1/2" NPT	57	100	140	178
182	1 1/2" NPT	1 1/2" NPT	57	100	216	254
183	1 1/2" NPT	1 1/2" NPT	57	100	292	330
184	1 1/2" NPT	1 1/2" NPT	57	100	368	406

ROTATION: Clockwise when viewed from driver end.

## 240 Series Flex Coupled Pump Dimensions

FRAME	CPLG	ALL 140 MODELS				MODEL 141		MODEL 142		MODEL 143		MODEL 144	
		K	D	HD	C*	S	L	S	L	S	L	S	L
56	3J	9.5	89	216	305	108	610	159	610	210	660	260	711
143T	4J	15.9	89	216	330	108	610	159	610	210	660	260	711
145T	4J	15.9	89	216	356	108	610	159	610	210	660	260	711
182T	5J	19	114	241	406	108	660	159	711	210	813	260	889
184T	5J	19	114	241	432	---	---	159	711	210	813	260	889
213T	6J	22.2	133	260	483	---	---	---	---	210	889	260	1016
215T	6J	22.2	133	260	508	---	---	---	---	---	---	260	1016

## 280 Series Flex Coupled Pump Dimensions

FRAME	CPLG	ALL 180 MODELS				MODEL 181		MODEL 182		MODEL 183		MODEL 184	
		K	D	HD	C*	S	L	S	L	S	L	S	L
56	3J	9.5	89	216	305	140	660	216	660	292	711	368	889
143T	4J	15.9	89	216	330	140	660	216	660	292	711	368	889
145T	4J	15.9	89	216	356	140	660	216	660	292	711	368	889
182T	5J	19	114	241	406	140	711	216	711	292	813	368	1016
184T	5J	19	114	241	432	140	711	216	711	292	813	368	1016
213T	6J	22.2	133	260	483	---	---	216	711	292	1016	368	1143
215T	6J	22.2	133	260	508	---	---	216	711	292	1016	368	1143

140 • 240 SERIES PUMPS

**NOTES**

All dimensions in millimeters. May vary ± 6 MM.  
 \*C Dimension varies depending on motor enclosure type. Max Dimension Listed  
 Not for construction purposes unless certified.  
 ROTATION: Clockwise when viewed from driver end.

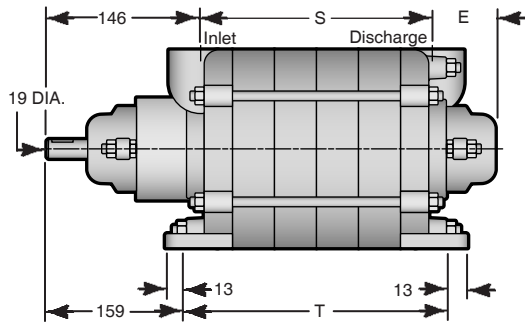


**MTH PUMPS**

401 West Main Street • Plano, IL 60545-1436  
 Phone: 630-552-4115 • Fax: 630-552-3688  
 Email: SALES@MTHPUMPS.COM  
 http://WWW.MTHPUMPS.COM

140 • 240 • 180 • 280 SERIES

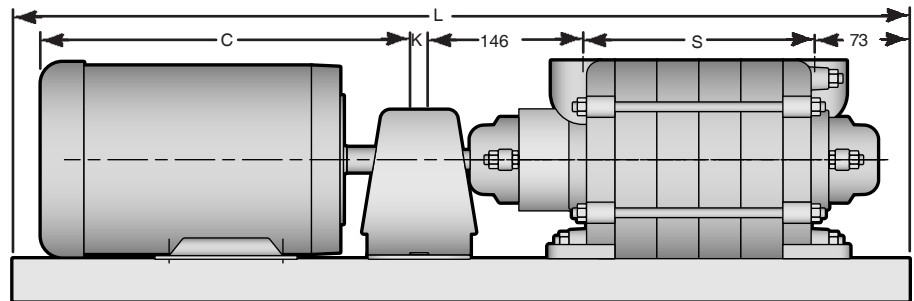
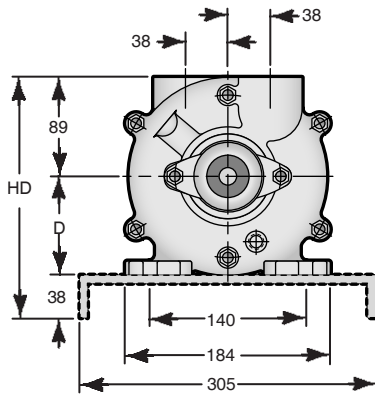
# Dimensions



## Pump Only Dimensions

PUMP SERIES	INLET	DISCHARGE	E	S	T
241	1 1/2" NPT	1 1/4" NPT	54	143	152
242	1 1/2" NPT	1 1/4" NPT	54	194	203
243	1 1/2" NPT	1 1/4" NPT	54	244	254
244	1 1/2" NPT	1 1/4" NPT	54	295	305
281	1 1/2" NPT	1 1/2" NPT	57	168	178
282	1 1/2" NPT	1 1/2" NPT	57	244	254
283	1 1/2" NPT	1 1/2" NPT	57	321	330
284	1 1/2" NPT	1 1/2" NPT	57	397	406

ROTATION: Clockwise when viewed from driver end.



## 240 Series Flex Coupled Pump Dimensions

FRAME	CPLG	ALL 240 MODELS				MODEL 241		MODEL 242		MODEL 243		MODEL 244	
		K	D	HD	C*	S	L	S	L	S	L	S	L
56	3J	9.5	89	216	305	143	711	194	711	244	813	295	889
143T	4J	15.9	89	216	330	143	711	194	711	244	813	295	889
145T	4J	15.9	89	216	356	143	711	194	711	244	813	295	889
182T	5J	19	114	241	406	143	711	194	813	244	889	295	966
184T	5J	19	114	241	432	143	711	194	813	244	889	295	966
213T	6J	22.2	133	260	483	---	---	---	---	244	1016	295	1016
215T	6J	22.2	133	260	508	---	---	---	---	244	1016	295	1016

## 280 Series Flex Coupled Pump Dimensions

FRAME	CPLG	ALL 280 MODELS				MODEL 281		MODEL 282		MODEL 283		MODEL 284	
		K	D	HD	C*	S	L	S	L	S	L	S	L
56	3J	9.5	89	216	305	168	711	244	813	321	889	397	965
143T	4J	15.9	89	216	330	168	711	244	813	321	889	397	965
145T	4J	15.9	89	216	356	168	711	244	813	321	889	397	965
182T	5J	19	114	241	406	168	711	244	889	321	965	397	1016
184T	5J	19	114	241	432	168	711	244	889	321	965	397	1016
213T	6J	22.2	133	260	483	---	---	---	---	321	1016	397	1067
215T	6J	22.2	133	260	508	---	---	---	---	321	1016	397	1067

### NOTES

All dimensions in millimeters. May vary ± 6 MM.  
 \*C Dimension varies depending on motor enclosure type. Max Dimension Listed  
 Not for construction purposes unless certified.  
 ROTATION: Clockwise when viewed from driver end.



401 West Main Street • Plano, IL 60545-1436  
 Phone: 630-552-4115 • Fax: 630-552-3688  
 Email: SALES@MTHPUMPS.COM  
 http://WWW.MTHPUMPS.COM